

Central Brass

C O M P A N Y

Brecksville, Ohio 44141

Phone: (216) 883-0220 Fax: (440) 526-5745

www.CentralBrass.com

MODEL NOS. 0376 & 0377
DRINKING FAUCET HEAD

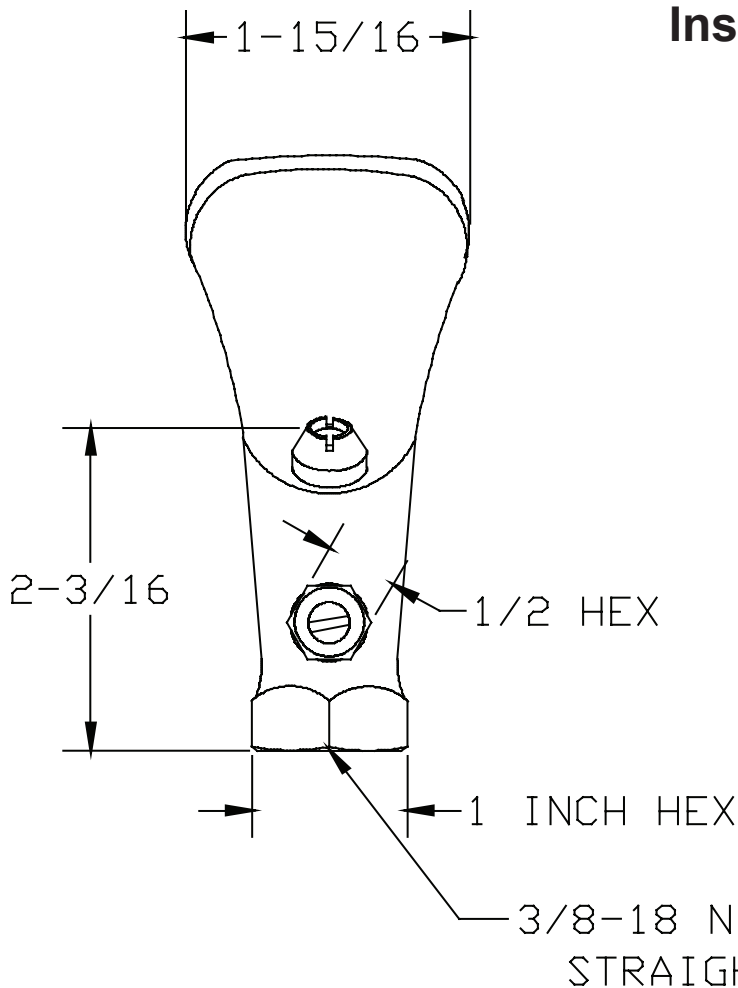
0376 (without stream control)

0377 (with stream control)

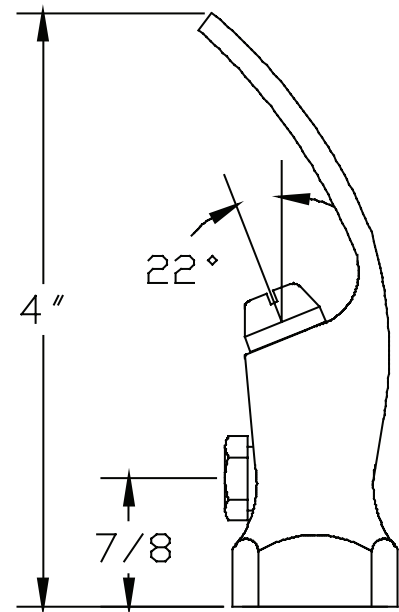
The drinking faucet head is made from a brass forging. It is polished and copper, nickel, and chrome plated. The head has a hexagonal base with a 3/8-inch female pipe connection. The drinking faucet outlet is slotted to allow the water to drain and to provide self cleaning of sediment and dust. A slotted screw stream control adjustment is available on the 0377 model.

ASME A112.18.1M

Certified by IAPMO R&T to NSF/ANSI 61



Installation Drawing



Central Brass

C O M P A N Y

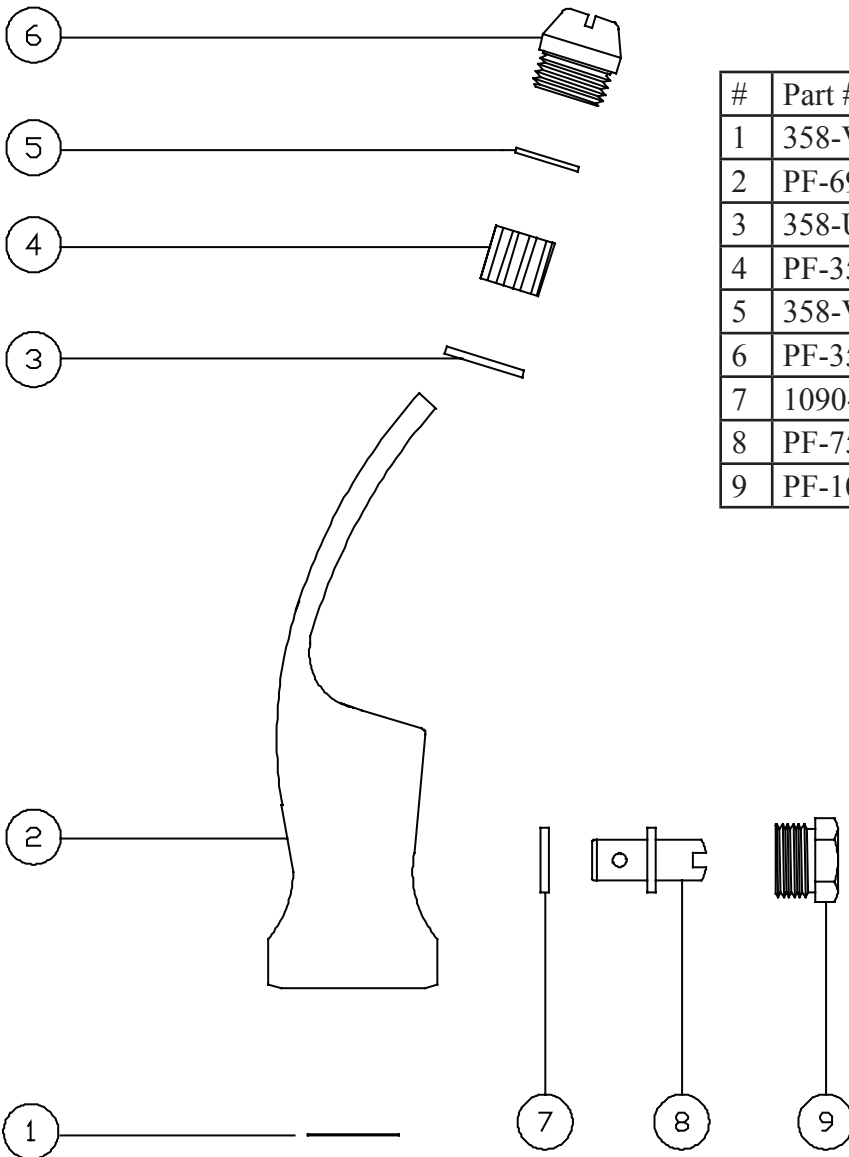
Brecksville, Ohio 44141

Phone: (216) 883-0220 Fax: (440) 526-5745

www.CentralBrass.com

**MODEL NOS. 0376 & 0377
DRINKING FAUCET HEAD**

Parts Breakdown



#	Part #	Description
1	358-V	Monel Screen (0377 only)
2	PF-6946-FR	Brass Bubble Guard Body
3	358-U	Fiber Washer (0377 only)
4	PF-358-TA	Brass Streamformer (0377 only)
5	358-VA	Stainless Steel Screen (0377 only)
6	PF-358-SA	Brass Jet (0377 only)
7	1090-HN	Nylon Gasket (0377 only)
8	PF-756-E	Brass Regulator Stem (0377 only)
9	PF-1090-J	Brass Regulator Cap (0377 only)

The parts listed in the parts breakdown above may not be offered separately as replacement parts. Please review the Replacement Parts page for the authorized replacement parts that are available for this item.