

# Central Brass

MANUFACTURING COMPANY

2950 East 55<sup>th</sup> St. Cleveland, Ohio 44127

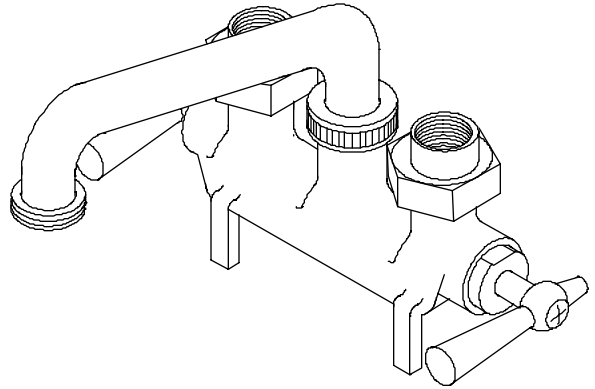
Phone: (216) 883-0220 Fax: (216) 883-0875

www.CentralBrass.com

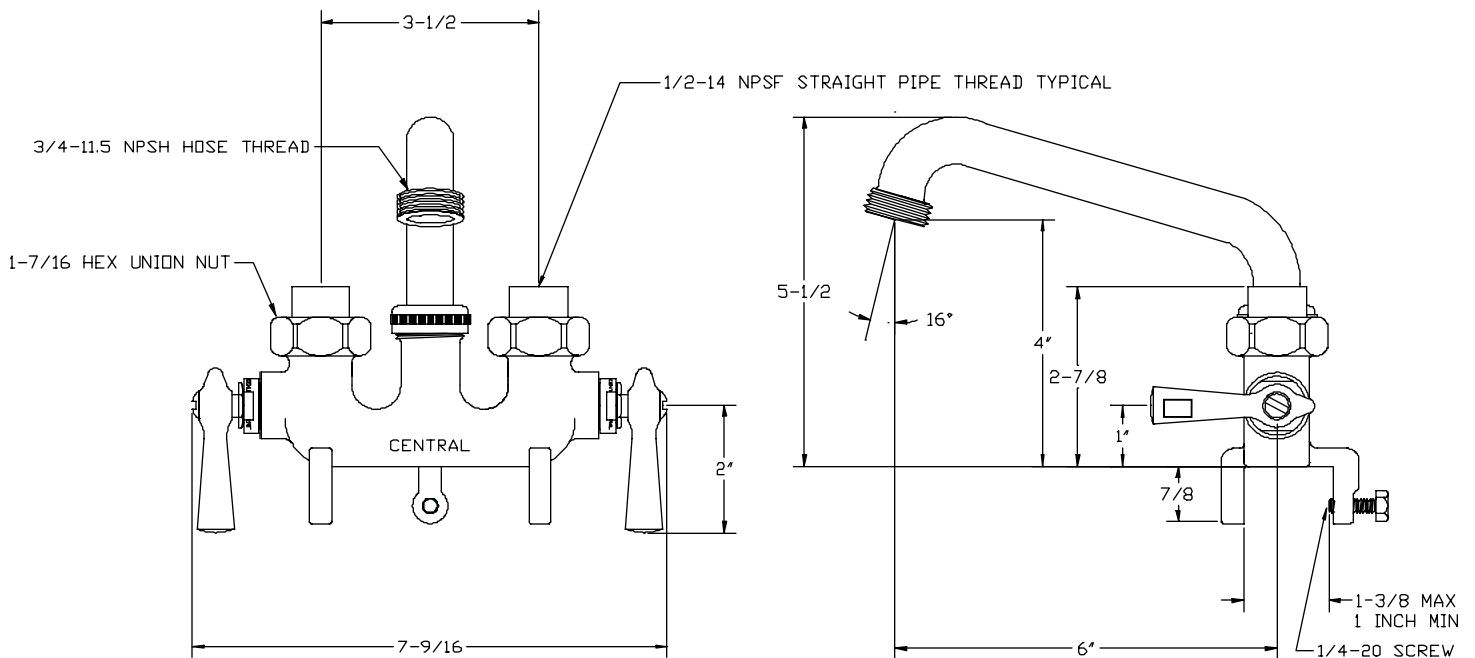
**MODEL NO. 0465  
LAUNDRY FAUCET**

The laundry faucet has a cast brass body with straddle legs and union supply connections. The stems are all brass with a double O-Ring seal and acrilonitrile seat washer. The six inch brass swivel spout has a hose end adapter. The laundry faucet has a rough cast brass finish.

Meets ANSI/NSF Standard 61, Section 9 for Lead  
ASME A112.18.1M



## Installation Drawing



# Central Brass

MANUFACTURING COMPANY

2950 East 55<sup>th</sup> St. Cleveland, Ohio 44127

Phone: (216) 883-0220 Fax: (216) 883-0875

www.CentralBrass.com

**MODEL NO. 0465**  
**LAUNDRY FAUCET**

## Parts Breakdown

#	Part#	Description
1	126-S	Steel Screw
2	520-AC	Aluminum Handle Indexed "C"
2	520-AH	Aluminum Handle Indexed "H"
3	453-EWC	Brass Left Thread O-Ring Bonnet
3	453-EWH	Brass Right Thread O-Ring Bonnet
4	1038-453	O-Ring
5	453-FL	Brass Left Thread O-Ring Stem
5	453-FR	Brass Right Thread O-Ring Stem
6	901-WN	Seat Washer
7	104	Brass Seat Washer Screw
8	1028-Y	Nylon Gasket
9	7203	Brass Body
10	1875	Brass Union
11	1876-BB	Brass Coupling
12	1038-KN	O-Ring
13	166-FN	Stainless Steel Snap Ring
14	782-D	Brass Spout Nut
15	2924-01	Brass Swivel Spout
16	784-C	Brass Hose Connector
17	113-A	Steel Screw
18	SU-453-EL	Left Thread O-Ring Stem Assembly
18	SU-453-ER	Right Thread O-Ring Stem Assembly

