

ELKAY[®]

SPECIFICATIONS

Sink Accessories Drain Fitting Model LK35, LK35B and LK35L

GENERAL

LK35

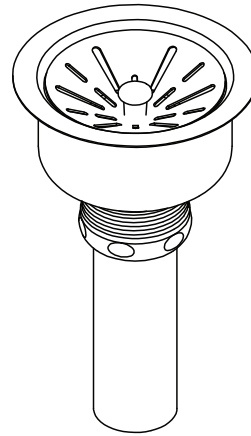
- Type 304 stainless steel body and removable conical basket strainer with metal stem and rubber stopper.
- Fits 3-1/2" (89mm) opening.
- Polished finish.
- Chrome plated brass 1-1/2" (38mm) x 4" (102mm) tailpiece.

LK35B

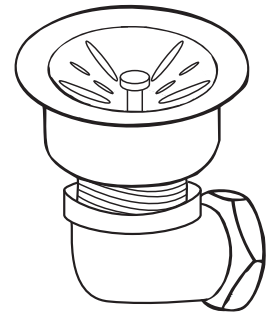
- Type 304 stainless steel body and removable conical basket strainer with metal stem and rubber stopper.
- Fits 3-1/2" (89mm) opening.
- Polished finish.
- Type 304 stainless steel 1-1/2" (38mm) x 4" (102mm) tailpiece.

LK35L

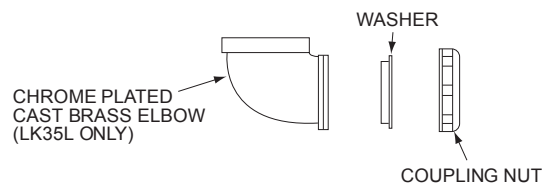
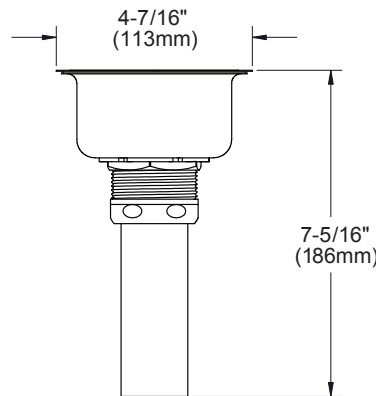
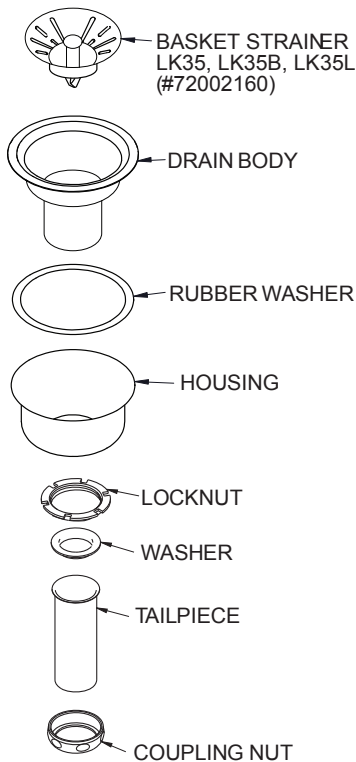
- Type 304 stainless steel body and removable conical basket strainer with metal stem and rubber stopper.
- Fits 3-1/2" (89mm) opening.
- Polished finish.
- Chrome plated cast brass 1-1/2" (38mm) 90° elbow.



Models LK35,
LK35B



Model LK35L



In keeping with our policy of continuing product improvement, Elkay reserves the right to change product specifications without notice. Please visit elkayusa.com for most current version of Elkay product specification sheets.

This specification describes an Elkay product with design, quality and functional benefits to the user. When making a comparison of other producers' offerings, be certain these features are not overlooked.