

Slimline® Bedpan Washer Diverter Assemblies

DV-100

DV-105



DV-100



DV-105

Description

Slimline® Bedpan Washer Diverter Assembly for use in retrofit installations where Flushometers currently are installed and for replacing older in-line type bedpan washers.

Models

- DV-100 Standard
- DV-105 with Deoseptic Unit

Specifications

Bedpan Washer Diverter Assembly for use with Flushometer with the following features:

- Solid One-piece Body Construction
- Counter Balanced Pivot Assembly
- Solid Brass Spray Arm
- High Back Pressure Vacuum Breaker with One-piece Bottom Hex Coupling Nut
- Wall Support, Spud Coupling and Flange for 1 1/2" Top Spud
- Vacuum Breaker to be molded from PERMEX™ rubber compound for Chloramine resistance

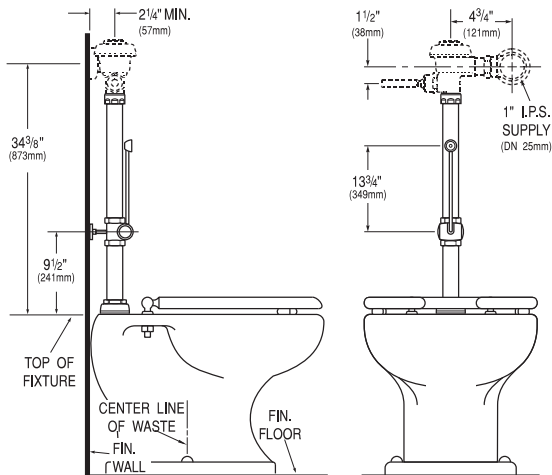
Diverter Assembly ONLY. Does NOT include Flushometer.

Variations

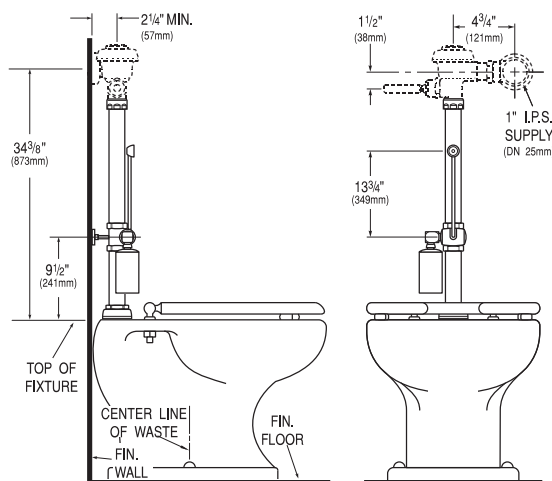
- BG** Bio-Gard™ Spray Arm
- R** Includes 1" I.P.S. Elbow (to raise existing water supply rough-in) and Pipe Support

See Accessories Section of Sloan catalog for details on these and other Flushometer variations.

DV-100



DV-105



This space for Architect/Engineer approval

The information contained in this document is subject to change without notice.

Made in the U.S.A.

SLOAN®

SLOAN VALVE COMPANY • 10500 SEYMOUR AVE. • FRANKLIN PARK, IL 60131
 PHONE: 1-800 982-5839 • FAX: 1-800 447-8329 • <http://www.sloanvalve.com>