



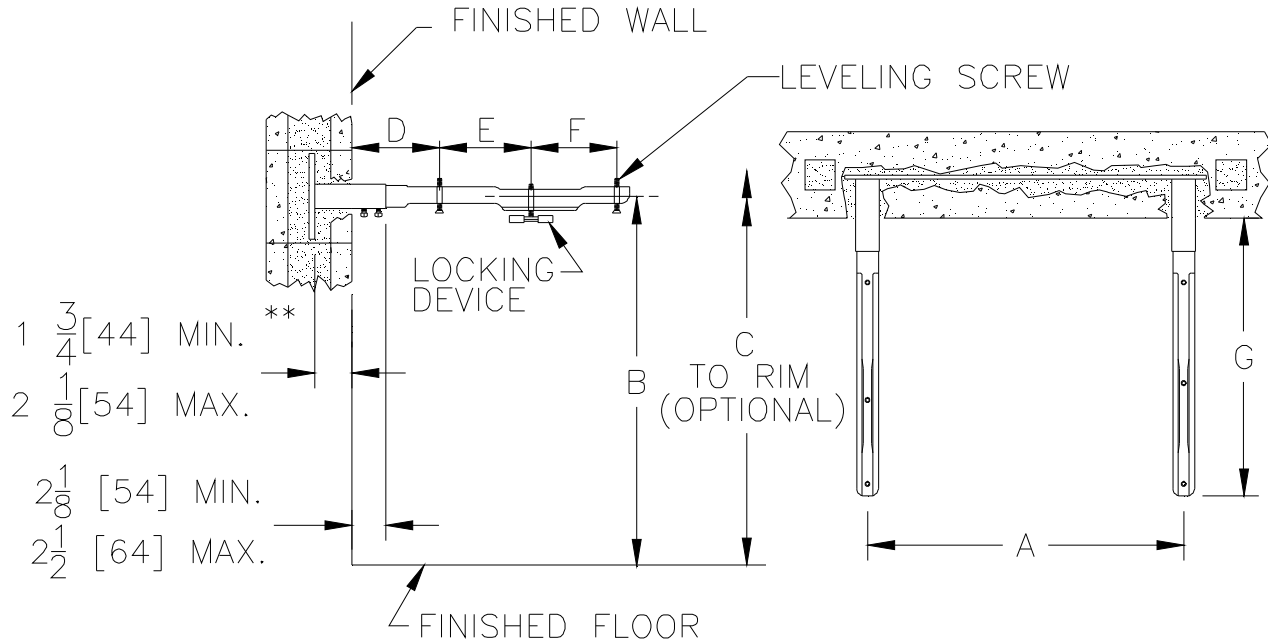
# Z1251

## CONCEALED ARM SYSTEM WALL SUPPORTED

SPECIFICATION SHEET

TAG \_\_\_\_\_

Dimensional Data (inches and [ mm ]) are Subject to Manufacturing Tolerances and Change Without Notice



\*\* WITH STANDARD SLEEVE LENGTH OF 4-1/4 [108]

Product No.	Approx. Wt. Lbs. [kg]
Z1251	18 [8]

**ENGINEERING SPECIFICATION: ZURN Z1251**

Lavatory support system with concealed arms. Complete with Dura-Coated support plate with integral steel arm sleeves, concealed arms, and mounting fasteners.

**OPTIONS** (Check/specify appropriate options)

**PREFIXES**

\_\_\_ Z Dura-Coated System with Concealed Arms\*

**SUFFIXES**

- \_\_\_ -E2 Concealed Arm Escutcheons 2 [51] Long
- \_\_\_ -E4 Concealed Arm Escutcheons 4 [102] Long
- \_\_\_ -E6 Concealed Arm Escutcheons 6 [152] Long
- \_\_\_ -SL Sleeve Length Over 4-1/4 [108] (Specify Length)
- \_\_\_ -W6 6 [152] Wide Support Plate
- \_\_\_ -79 Paraplegic Rough-in

Note: Dimensional data for letter dimensions depends upon fixture type and manufacturer. See Zurn Carrier/Fixture Rough-In information at [www.zurn.com](http://www.zurn.com) for specific rough-in dimensions

\*REGULARLY FURNISHED UNLESS OTHERWISE SPECIFIED

REV. E	DATE: 10/20/10	C.N. NO. 111890
DWG. NO. 58857		PRODUCT NO. Z1251