

Central Brass

MANUFACTURING COMPANY

2950 East 55th St. Cleveland, Ohio 44127

Phone: (216) 883-0220 Fax: (216) 883-0875

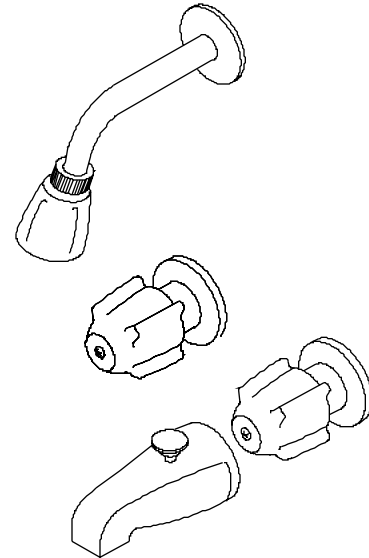
www.CentralBrass.com

MODEL NO. 6076
BATH & SHOWER FITTING

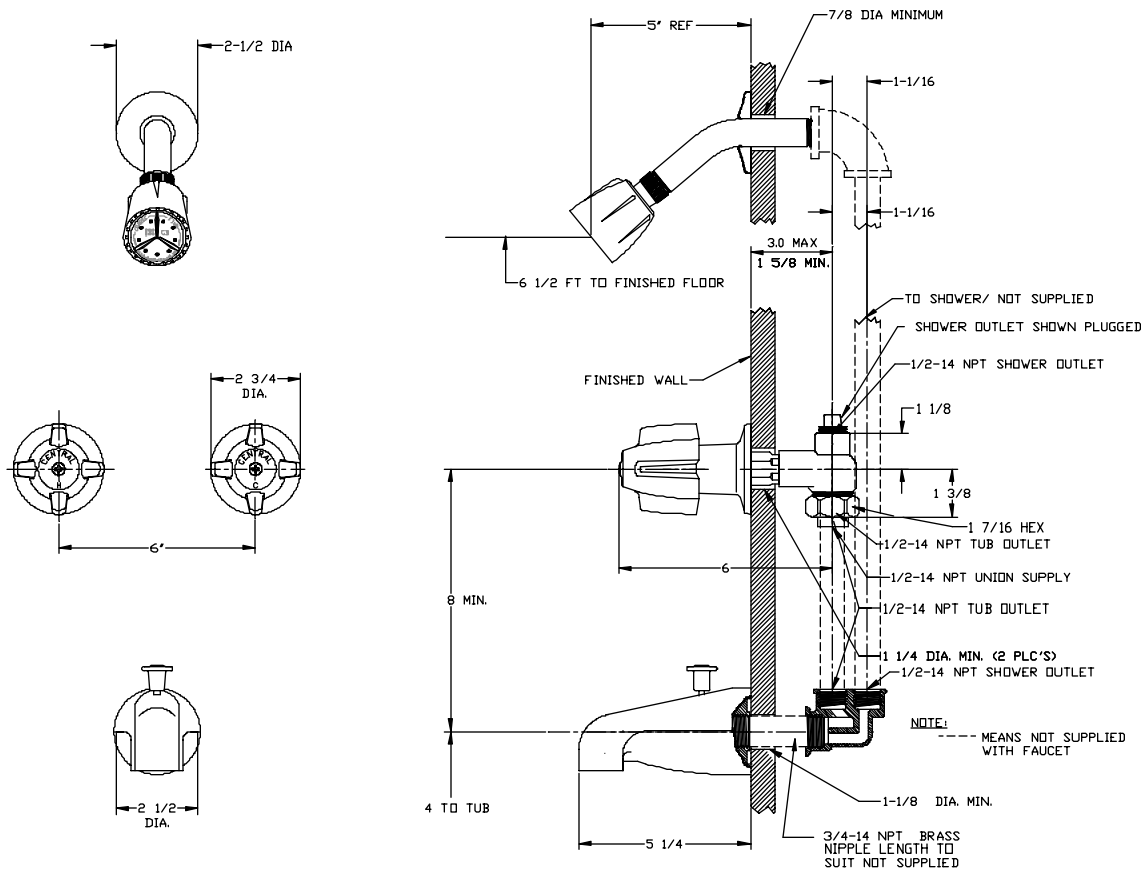
The two valve bath and shower fitting is made with a cast brass body with replaceable seats designed for union connections on six inch centers. The stem units are all brass with a reinforced rubber packing and rubber seat washer. The stem units can be easily replaced from the front of the fitting without removing the valve body. The fitting is supplied with a twin ell that connects the valve to the diverter spout and the shower tube. The handles, spout and escutcheons are zinc die cast with a chrome plated finish. The shower arm is brass with a chrome plated finish, the escutcheon is stainless steel and the shower head is chrome plated plastic.

ASME A112.18.1M

Shower Flow Rate 2.5 gpm @ 80 psi



Installation Drawing



Central Brass

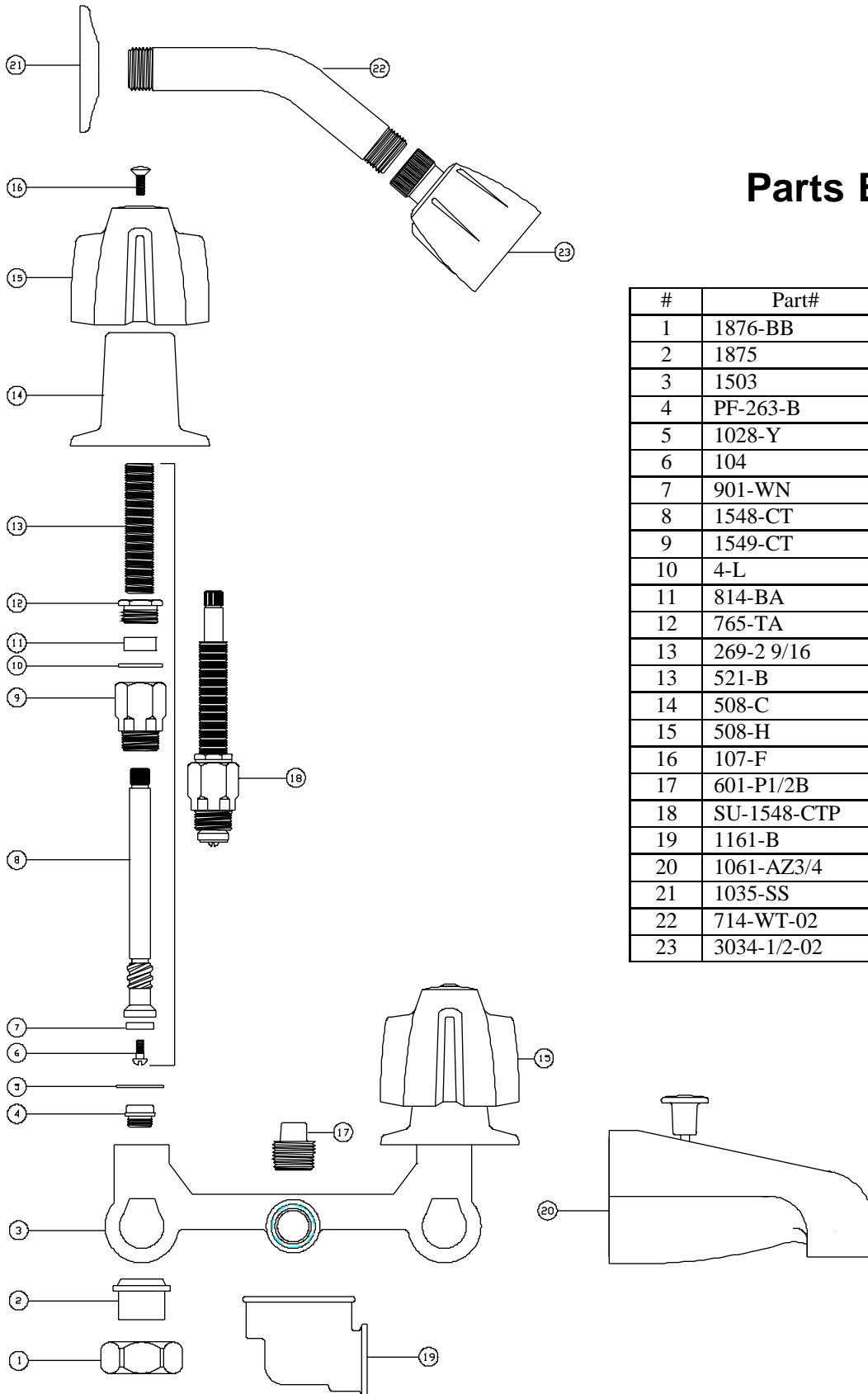
MANUFACTURING COMPANY

2950 East 55th St. Cleveland, Ohio 44127

Phone: (216) 883-0220 Fax: (216) 883-0875

www.CentralBrass.com

MODEL NO. 6076
BATH & SHOWER FITTING



Parts Breakdown

#	Part#	Description
1	1876-BB	Brass Coupling
2	1875	Brass Union
3	1503	Brass 2-Valve Body
4	PF-263-B	Brass Seat
5	1028-Y	Nylon Gasket
6	104	Brass Seat Washer Screw
7	901-WN	Seat Washer
8	1548-CT	Right Thread Brass Stem
9	1549-CT	Right Thread Brass Bonnet
10	4-L	Brass Washer
11	814-BA	Packing
12	765-TA	Brass Packing Nut
13	269-2 9/16	Brass Threaded Nipple
13	521-B	Escutcheon
14	508-C	Handle Indexed "C"
15	508-H	Handle Indexed "H"
16	107-F	Brass Phillips Head Screw
17	601-P1/2B	Brass Plug
18	SU-1548-CTP	Right Thread Stem Assembly
19	1161-B	Brass Ell
20	1061-AZ3/4	Diverter Spout
21	1035-SS	Shower Arm Flange
22	714-WT-02	Brass Shower Arm
23	3034-1/2-02	Showerhead