

## FAUCET DESCRIPTION

- Chrome plated metal construction
- 1/2" IPS connections
- Supplied with vandal resistant screws

## OPERATION

- Wrist Blade style handles with hot and cold color indicators
- Hot side counterclockwise (1/4) turn to open (clockwise to close)
- Cold side clockwise (1/4) turn to open (counterclockwise to close)

## FLOW

- 2.0 MAX. gpm (7.6 L/min) aerator

## CARTRIDGE

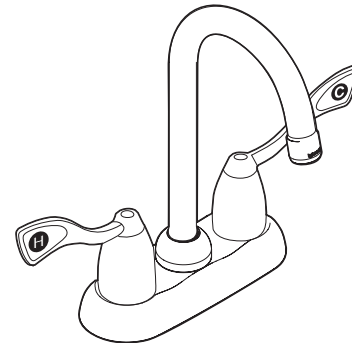
- 1224 cartridge design
- Nonmetallic and stainless steel construction

## STANDARDS

- Third party certified by IAPMO and CSA to meet CSA B-125 and ASME A112.18.1M and all applicable specifications referenced therein and complies with the applicable requirements of ANSI A117.1, NSF 61/9, and California Proposition 65.

## WARRANTY

- Warranted for 5 years against material or manufacturing defects

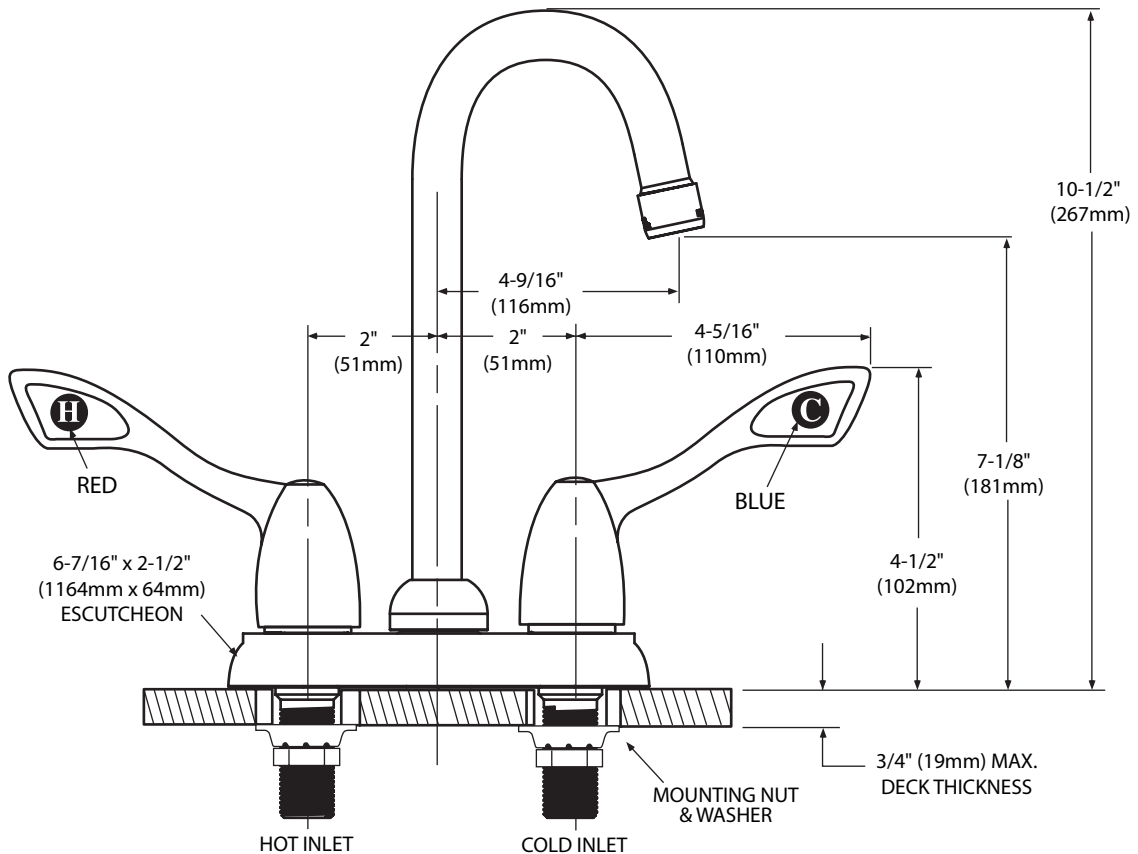


ADA 

**Two-Handle Bar Faucet**

**Model: 8938**

**NOTE:** THIS FAUCET IS DESIGNED TO BE INSTALLED THROUGH 2 HOLES, 1" MIN. DIA. AND 4" ON CENTER



## CRITICAL DIMENSIONS

(DO NOT SCALE)