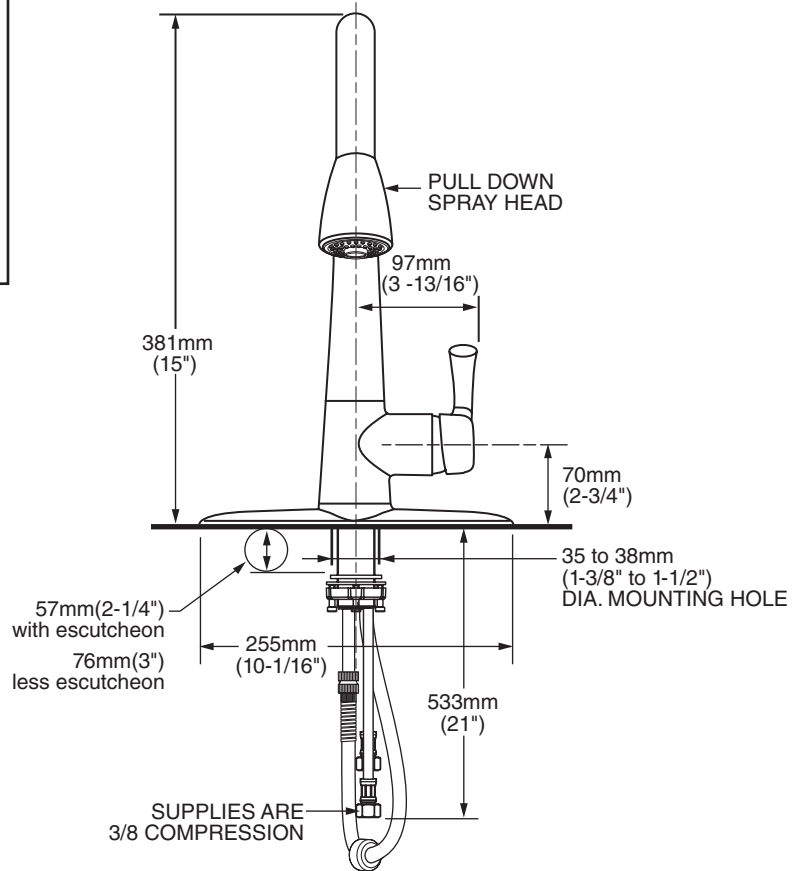


**MODEL NUMBER:**

- 4433.300 Kitchen Faucet with Pull-Down Spray**  
 Escutcheon plate, (use is optional).



**GENERAL DESCRIPTION:**

Metal handle and escutcheon plate. High arc swivel spout (150° rotation) with pull-down spray head with pause feature. Adjustable spray pattern with toggle button activation. Washerless 40mm ceramic disc valve cartridge. Braided flexible Stainless Steel supply hoses with 3/8" compression connections. Metal mounting shank with brass fixation ring. Complete with two integral check valves. 2.2gpm/8.3L/min. maximum flow rate. Fitting can be mounted with or without escutcheon plate (escutcheon size 10-1/16"L x 2-1/2"W).

**PRODUCT FEATURES:**

**Ceramic Disc Valve Cartridge:** Assures smooth, precise valve control and a lifetime of drip-free, maintenance-free performance.

**Memory Position Valving:** Allows user to turn valve on and off at preferred temperature setting without readjusting handle position each time.

**Lead Free:** Faucet contains ≤ 0.25% total lead content by weighted average.

**Integral Check Valves:** Prevents back flow.

**Toggle Spray Function:** Switches water flow from a stream to a spray and includes pause feature.

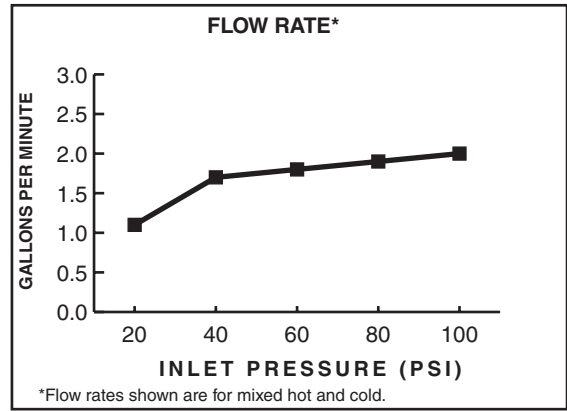
**SUGGESTED SPECIFICATION:**

Single control kitchen pull-down faucet shall feature a high arc brass swivel spout with pull-down spray head, metal escutcheon plate and handle. Shall also feature washerless ceramic disc valve cartridge and flexible Stainless Steel supply hoses. Faucet shall be American Standard Model # 4433.300.\_\_\_\_\_

**CODES AND STANDARDS**


These products meet or exceed the following codes and standards:

- ANSI A117.1**
- ASME A112.18.1**
- NSF 61/Section 9 & Annex G**
- CSA B125**



**2.2gpm/8.3L/min. FLOW RATE**

Product Number	Description	Finish Options		
		Polished Chrome	Stainless Steel (PVD)	Oil Rubbed Bronze
4433.300	High Arc Pull-Down kitchen faucet.	002	075	224

 Meets the American Disabilities Act Guidelines and **ANSI A117.1** Requirements for the physically challenged.