

FEATURED MODEL

511-704 Café Brown, 9-1/2" & 9-1/2" bowl depths

ADDITIONAL MODELS

- 511-700 Biscuit, 9-1/2" & 9-1/2" bowl depths
- 511-701 White, 9-1/2" & 9-1/2" bowl depths
- 511-702 Anthracite, 9-1/2" & 9-1/2" bowl depths
- 511-703 Metallic Gray, 9-1/2" & 9-1/2" bowl depths

FEATURES

- True undermount installation
- 80% rock hard granite
- Color all the way through
- Highly resistant to scratching, staining and all household acids and alkali solutions
- Non-porous, easy-to-clean
- Heat resistant to 536° F
- Extremely hygienic, does not absorb odors or bacteria

CODE/STANDARDS COMPLIANCE

ANSI Z124.6-97
 IAPMO/UPC listed

OPTIONAL ACCESSORIES

- Sink Grids: 221-008 (Formerly 511-933L)
 221-009 (Formerly 511-933R)
- Colander: 215-651

WARRANTY

Blanco America's SILGRANIT® Series sinks feature a LIMITED LIFETIME WARRANTY to be free of all manufacturing defects under normal use. See our complete warranty for details.

While Blanco America endeavors to provide accurate information, all dimensions are nominal, cannot be guaranteed, and are subject to change or cancellation. Blanco America assumes no responsibility for use of superseded or voided specifications.

PRODUCT SPECIFICATION

Undermount sink to be equal double bowl design, 32" in length and 19-1/4" in front-to-back depth. Sink to be made from Silgranit® hard composite material. Sink to feature rear drain placement and straight bowl sides with 5/8" cutout corner radius. Sink to be Blanco (Check one)

- Model 511-700 Model 511-701
- Model 511-702 Model 511-703
- Model 511-704

with left bowl depth of 9-1/2" and right bowl depth of 9-1/2".

- Biscuit 511-700
- White 511-701
- Anthracite 511-702
- Metallic Gray 511-703
- Café Brown 511-704

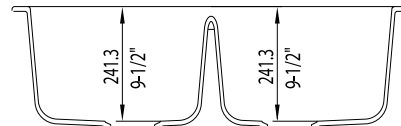
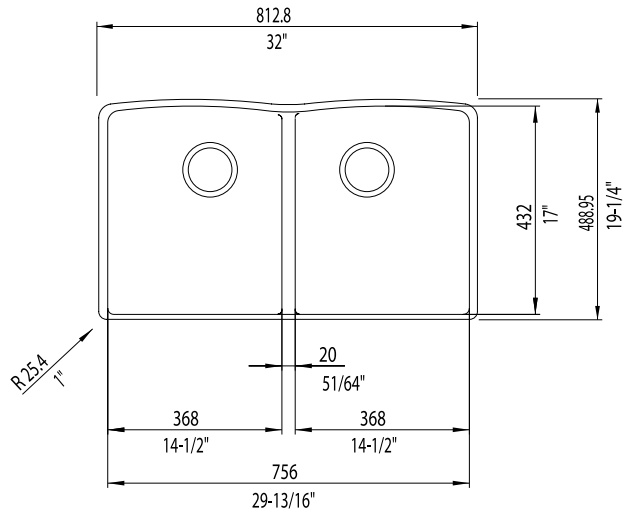


MODEL 511-704 Shown

NOMINAL DIMENSIONS

OVERALL	CUTOUT SIZE	BOWL DEPTH		DRAIN DIAMETER
		LEFT	RIGHT	
32 x 19-1/4	Template provided with approximate 1/8" reveal	9-1/2	9-1/2	3-1/2

DXF cutout templates available on our web site.



JOB INFORMATION

Job Name: _____
 Contact: _____
 Date Specified: _____
 Specifier: _____
 Contractor: _____