

# Glenshire™ Technical Specification

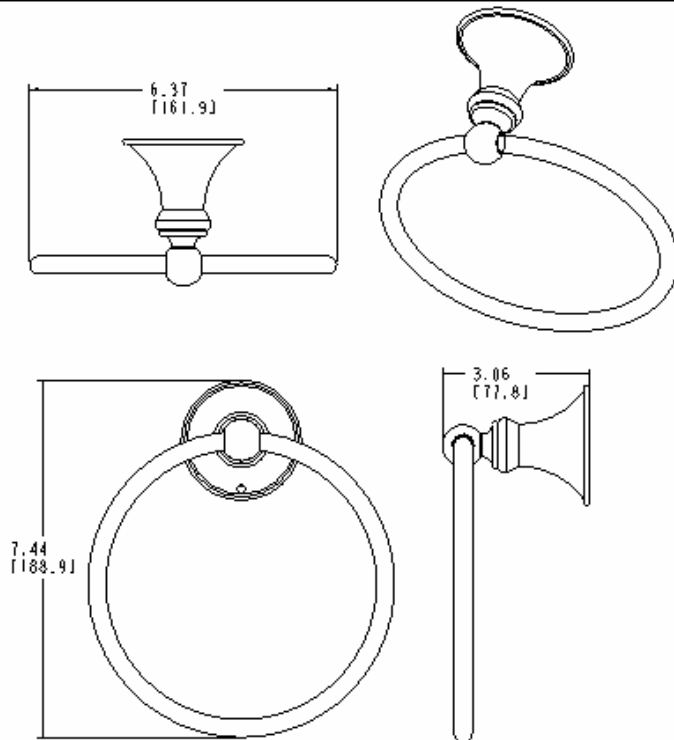
## Towel Ring

# DN2686

### Stock Numbers:

- q **DN2686BN – Towel Ring**  
Brushed Nickel Finish
- q **DN2686CH – Towel Ring**  
Chrome Finish

### Dimensions:



### Materials:

**Towel Ring** base is constructed of zinc. Ring is constructed of brass (BN) or aluminum (CH).

### Installation Instructions:

Directions below are for installation into drywall. If installing product into a stud, use the wood screws only.

- 1) Remove mounting post from product assembly by loosening the setscrew.
- 2) Position the mounting post on the wall at desired location with notch facing downward, and mark both vertical hole locations.
- 3) Drill 2 holes as marked using 5/16" drill bit.
- 4) Fold ends of the plastic toggle anchor together (see Figure 1) and insert into each hole in the wall.
- 5) Lightly tap anchors until flush with the wall.
- 6) One at a time, insert plastic pin into each anchor and lightly tap to activate anchor. Remove pin and repeat on other anchor.
- 7) Place mounting post over anchors (with "UP" facing you) and insert screws through post into anchors.
- 8) Tighten screws.
- 9) Place assembly over the mounting post with setscrew facing down and tighten setscrew.

### Cleaning Instructions:

To preserve the fine finish of this product, clean only with a soft damp cloth. Dry well. Do not use commercial or abrasive cleaners.

**Stock Number:** \_\_\_\_\_ **Towel Ring**  
By Creative Specialties



25300 AL MOEN DRIVE • NORTH OLMS TED, OH 44070  
CORPORATE HEADQUARTERS: (800) 321-8809 • FAX: (800) 848-6636  
INTERNATIONAL: (440) 962-2000 • FAX: (440) 962-2726  
CUSTOMER SERVICE (USA): 800-882-0116 • FAX: (888) 379-2720  
WWW.CSI.MOEN.COM

©Copyright Creative Specialties International 2006

Literature #BA1248