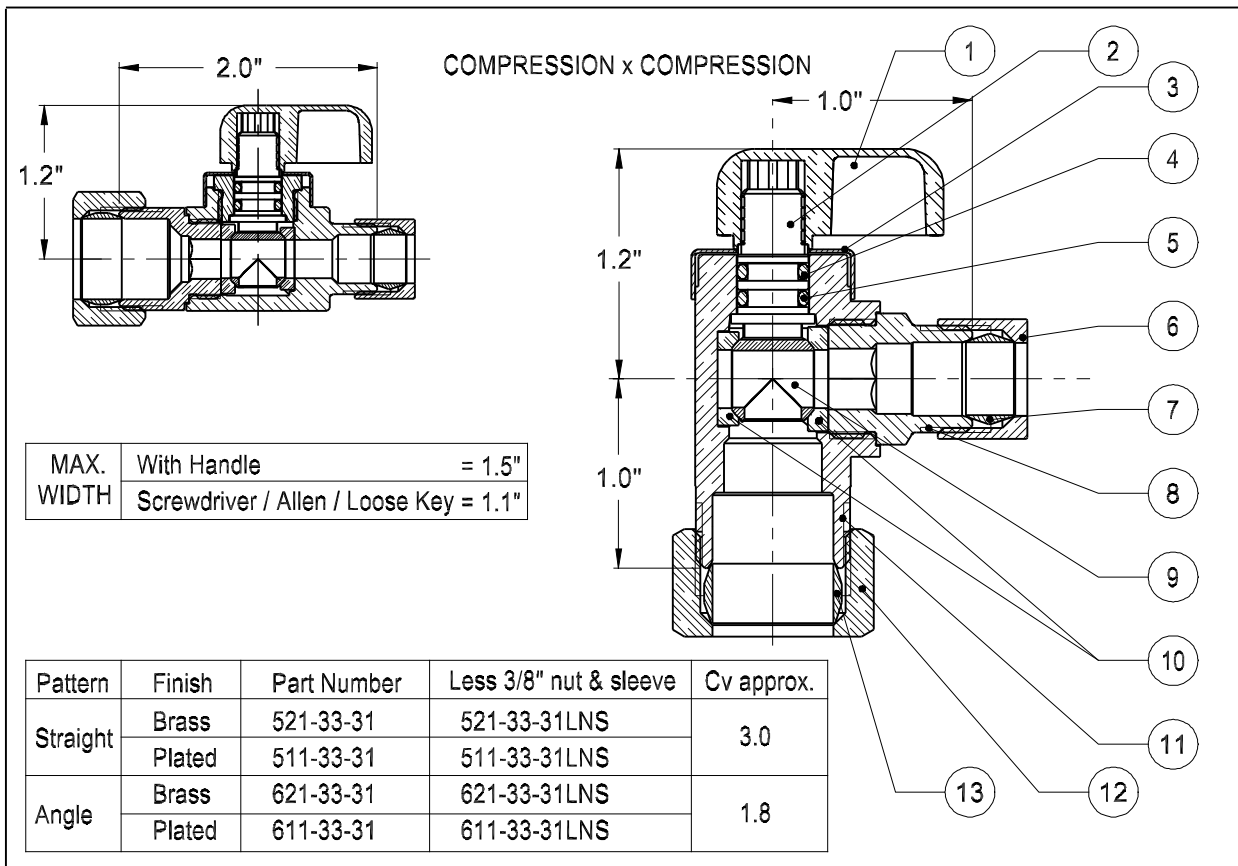


dahl-ECO mini-ball™ Valve

Plumbing



*Text Below Represents Plated Configuration

- | | |
|---|---|
| 1. Nickel Plated Zinc Handle | 8. Nickel Plated C693 Brass 3/8 OD Comp. End |
| 2. Nickel Plated C693 Brass Spindle | 9. Plated C693 Ball |
| 3. Nickel Plated Brass Handle Stop Cap | 10. Teflon* Seals |
| 4. EPDM O-ring | 11. Chrome Plated C693 Brass Body with 5/8 OD Comp. End |
| 5. Viton* O-ring | 12. Chrome Plated Brass 5/8 OD Compression Nut |
| 6. Chrome Plated Brass 3/8 OD Compression Nut | 13. C360 Brass Tapered Sleeve |
| 7. C360 Brass Tapered Sleeve | |

Working Pressure: 250 psi / 250°F
depending on pipe material.

 UPC
NSF / ANSI 61- G

Designed and Manufactured in
Canada

Wetted surface area contains <0.1wt% weighted average lead.



dahl brothers canada limited

2600 S. SHERIDAN WAY, MISSISSAUGA, ON, CANADA L5J 2M4
905-822-2330 CAN 800-268-5355 U.S. 800-268-2363
FAX(905) 855-1450, USA AND CANADA 800-226-1801
www.sales@dahlvalve.com www.dahlvalve.com

* Registered Trademark of E.I. Dupont Nemours.

We reserve the right to alter prices and/or technical details without notice