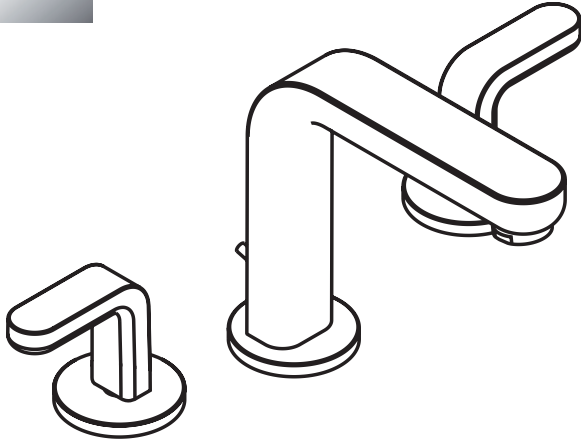


**ECO  
RIGHT**



## Product Features

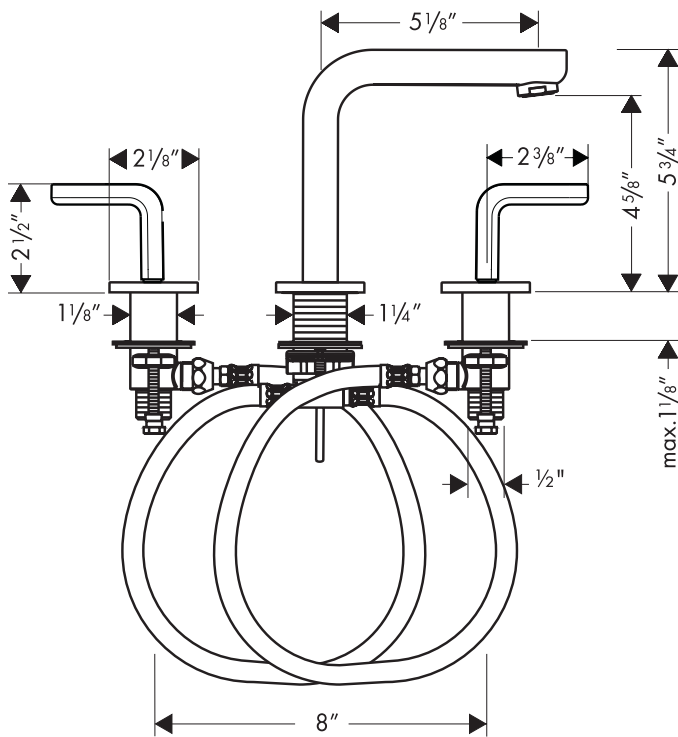
- Lever handles
- 90° Ceramic cartridges
- Flexible connecting hoses accommodate a variety of installations
- 1.5 gpm max.
- Includes pop-up drain

## Available Finishes

Chrome	31067001
Brushed Nickel	31067821
Polished Nickel	31067831

## Installation Notes

- Requires 1/2" supply lines



The measurements shown are for reference only.

Products and specifications shown are subject to change without notice.

Specification sheet revised 5/2009