

Features

- KOHLER cast iron
- Self-rimming
- With overflow
- 20" (50.8 cm) x 17" (43.2 cm)

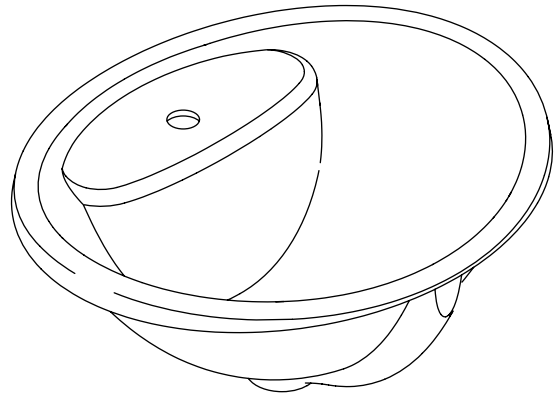
SELF-RIMMING LAVATORY K-2839

ADA

Codes/Standards Applicable

Specified model meets or exceeds the following:

- ADA
- ICC/ANSI A117.1
- ASME A112.19.1/CSA B45.2



Colors/Finishes

- 0: White
- Other: Refer to Price Book for additional colors/finishes

Accessories

- CP: Polished Chrome
- Other: Refer to Price Book for additional colors/finishes

Specified Model

Model	Description	Colors/Finishes	
K-2839-1	Self-rimming lavatory – single-hole	<input type="checkbox"/> 0	<input type="checkbox"/> Other _____
K-2839-4	Self-rimming lavatory – 4" (10.2 cm) centers	<input type="checkbox"/> 0	<input type="checkbox"/> Other _____
K-2839-8	Self-rimming lavatory – 8" (20.3 cm) centers	<input type="checkbox"/> 0	<input type="checkbox"/> Other _____

Recommended Accessories			
K-7107	Decorative drain OR	<input type="checkbox"/> CP	<input type="checkbox"/> Other _____
K-7108	Decorative drain OR	<input type="checkbox"/> CP	<input type="checkbox"/> Other _____
K-7129	Grid drain	<input type="checkbox"/> CP	<input type="checkbox"/> Other _____
K-9018	P-Trap	<input type="checkbox"/> CP	<input type="checkbox"/> Other _____

Product Specification

The self-rimming lavatory shall be made of KOHLER cast iron. Lavatory shall be 20" (50.8 cm) in length and 17" (43.2 cm) in width. Lavatory shall have 8" (20.3 cm) centers (-8), 4" (10.2 cm) centers (-4), or single-hole drilling (-1). Lavatory shall be with overflow. Lavatory shall be Kohler Model K-2839-_____-_____.

Technical Information

Fixture:*			
Basin area	18-1/16" (45.9 cm) x 10-3/16" (25.9 cm)		
Water depth	7-1/2" (19.1 cm)		
Drain hole	1-5/8" (4.1 cm) D.		
* Approximate measurements for comparison only.			
Holes	K-2839-8	K-2839-4	K-2839-1
Spout	1-3/8" D. (3.5 cm)	1-1/4" D. (3.2 cm)	1-3/8" D. (3.5 cm)
Faucet	1-3/8" D. (3.5 cm)	1-1/4" D. (3.2 cm)	
Included components:			
Cut-out template	1147017-7		

Installation Notes

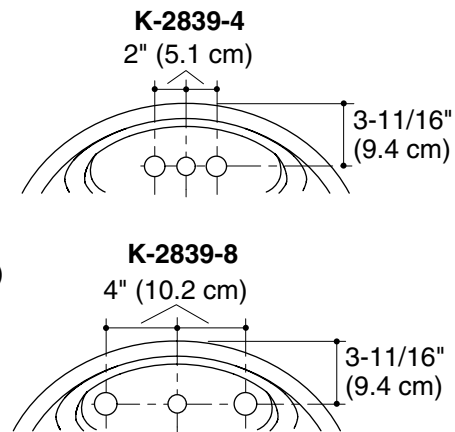
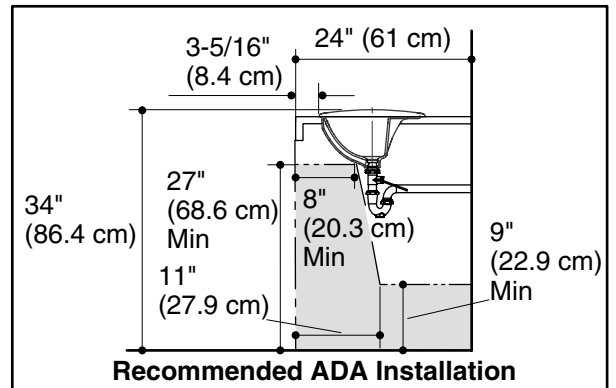
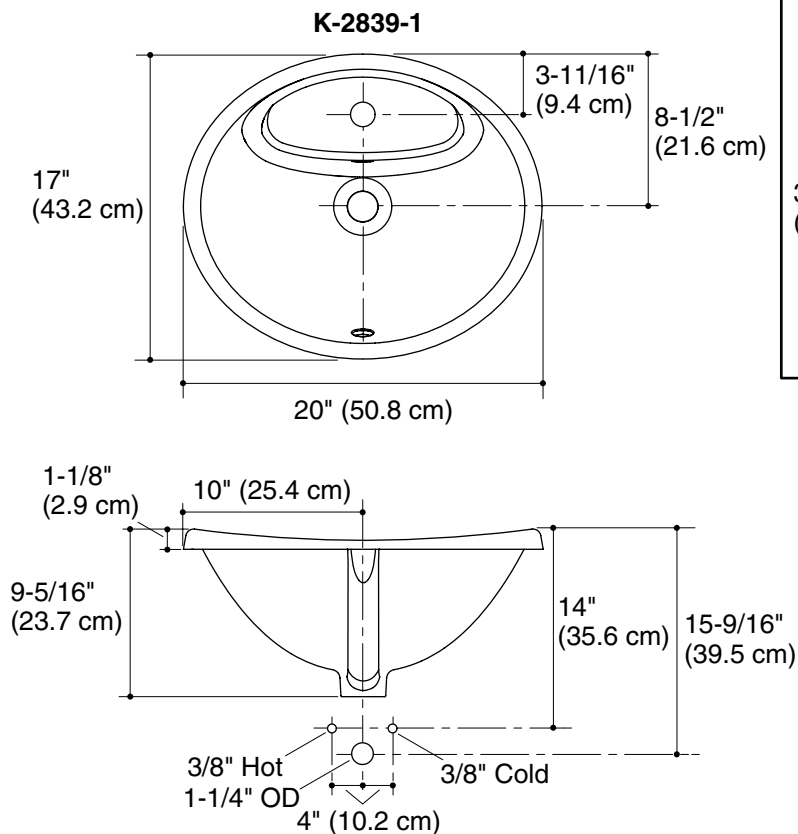
Install this product according to the installation guide.

Will comply with **ADA** when installed per section 606 Lavatories of the Act.

Spout must be 5" (12.7 cm) long (min) for adequate clearance into the lavatory when installed with the centerline as shown.

Spout must be tall enough to clear 3" (7.6 cm) rim height and provide a 1" (2.5 cm) air gap per ASME A112.1.1.

NOTICE: Countertop manufacturer or cutter must use the cut-out template provided with product, or a current one provided by Kohler Co. (call 1-800-4-KOHLER). Kohler Co. is not responsible for the cut-out errors when the incorrect cut-out template is used.



Product Diagram