

## Features

- Vitreous china.
- Wall-mount.
- Brushed chrome lever-operated fitting.
- 1-1/4" trap with brushed chrome strainer.

## Components

Additional included component/s: Vitreous Fountain, Hange accessory Pack, Supply fitting sub-assembly, Supply stop sub-assembly, Trap with strainer, Bottom access plat assembly, and Side access plate assembly.



## Codes/Standards

ASME A112.19.2/CSA B45.1

NSF 61

NSF 372

All applicable US Federal and State material regulations

## KOHLER® One-Year Limited Warranty

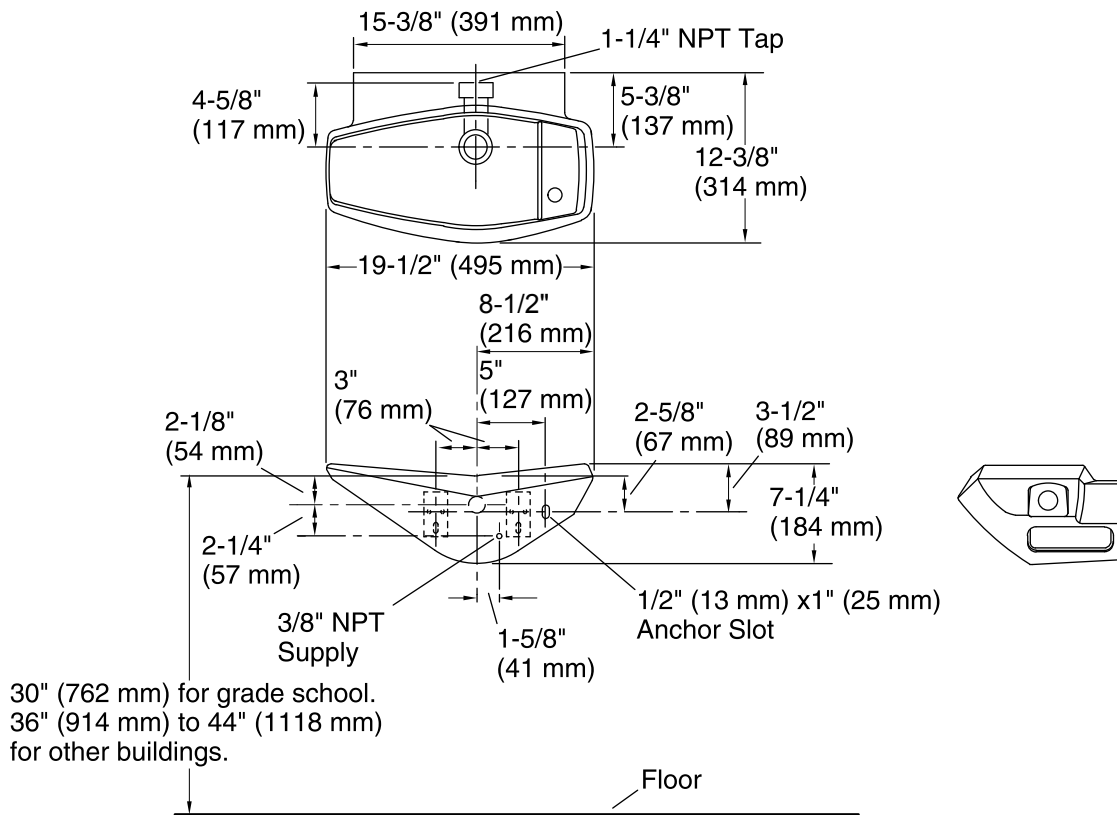
See website for detailed warranty information.

## Available Color/Finishes

*Color tiles intended for reference only.*

Color	Code	Description
-------	------	-------------

	0	White
--	---	-------



## Technical Information

All product dimensions are nominal.

Installation: Wall-mount

## Notes

Install this product according to the installation guide.