

PULL-DOWN KITCHEN SINK FAUCET

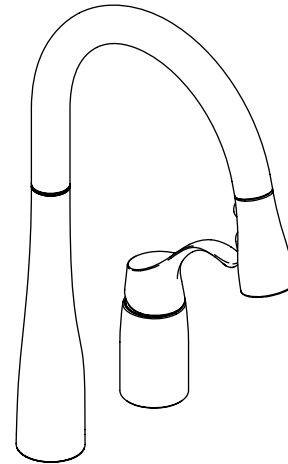
K-647

ALSO K-649

ADA

Features

- Metal construction
- One-piece, self-contained ceramic disc valve allows both volume and temperature control
- Temperature memory allows faucet to be turned on and off at any temperature setting
- High-temperature limit setting for added safety
- Remote valve
- Three-function sprayhead with spray, aerated stream, and pause settings
- Flexible supplies
- Available with an 8" (203 mm) or 9" (229 mm) spout reach
- 360° spout rotation
- Meets CalGreen requirements for kitchen faucets
- 1.8 gallons (6.8 L) per minute maximum flow rate at 60 psi (4.1 bar)



Codes/Standards Applicable

Specified model meets or exceeds the following at date of manufacture:

- ADA
- ICC/ANSI A117.1
- ASME A112.18.1/CSA B125.1
- NSF 61
- Energy Policy Act of 2005
- All applicable US Federal and State material regulations

Colors/Finishes

- CP: Polished Chrome
- VS: Stainless Steel
- Other: Refer to Price Book for additional colors/finishes

Specified Model

Model	Description	Colors/Finishes		
K-647	Pull-down kitchen sink faucet – 9" (229 mm) spout reach (shown)	<input type="checkbox"/> CP	<input type="checkbox"/> VS	<input type="checkbox"/> Other ____
K-649	Pull-down kitchen sink faucet – 8" (203 mm) spout reach	<input type="checkbox"/> CP	<input type="checkbox"/> VS	<input type="checkbox"/> Other ____

Product Specification

The pull-down kitchen sink faucet shall be of metal construction. Product shall feature a one-piece, self-contained ceramic disc valve, allowing volume and temperature control. Product shall feature temperature memory, allowing the faucet to be turned on and off at any temperature setting. Product shall feature a high-temperature limit setting for added safety, remote valve, ADA compliant remote lever handle, and 360° spout rotation. Product shall feature a three-function sprayhead with spray, aerated flow, and pause function. Product shall include flexible connections for easy installation. Product shall be available with an 8" (203 mm) or 9" (229 mm) spout reach. Product shall meet CalGreen requirements for kitchen faucets. Product shall be 1.8 gallon (6.8 L) per minute maximum flow rate. Pull-down kitchen faucet shall be Kohler Model K-____-____.

SIMPLICE®

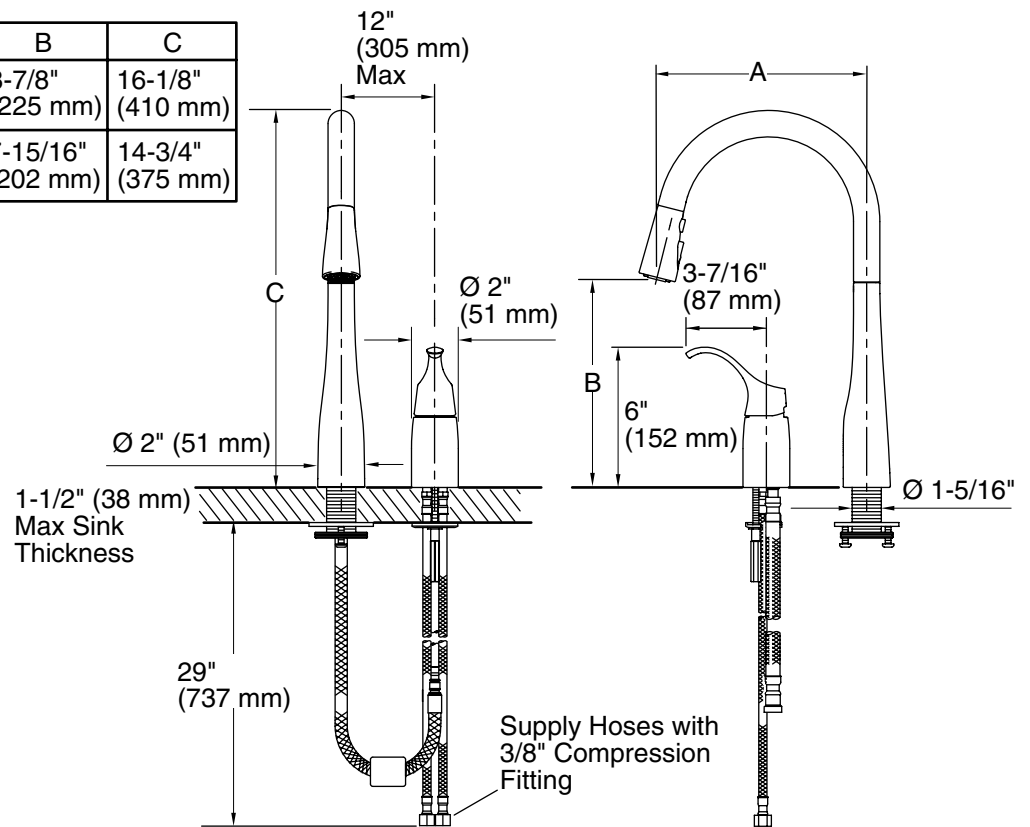
Optional Accessories		
1124126	Deep roughing-in kit	<input type="checkbox"/> NA
1167289	Low flow kit – reduces maximum flow to 1.5 gpm (5.7 L) at 60 psi (4.1 bar)	<input type="checkbox"/> NA
1167290	High flow kit – increases maximum flow to 2.2 gpm (8.3 L) at 60 psi (4.1 bar)	<input type="checkbox"/> NA

Installation Notes

Install this product according to the installation guide.

ADA compliant when installed to the specific requirements of these regulations.

Model	A	B	C
K-647	9" (229 mm)	8-7/8" (225 mm)	16-1/8" (410 mm)
K-649	8" (203 mm)	7-15/16" (202 mm)	14-3/4" (375 mm)



Product Diagram