

**Features**

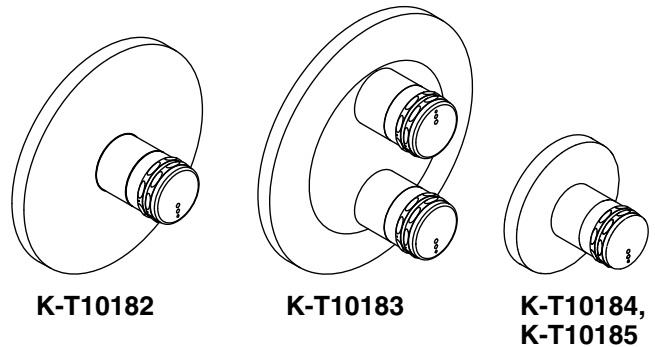
- Brass construction
- Front seal plate assembly
- Handle assembly

**THERMOSTATIC VALVE TRIM**  
**K-T10182**  
ALSO K-T10183, K-T10184, K-T10185

**Codes/Standards Applicable**

Specified model meets or exceeds the following:

- ASME A112.18.1/CSA B125.1
- ASSE 1016



**Colors/Finishes**

- CP: Polished Chrome
- Other: Refer to Price Book for additional colors/finishes

**Accessories**

- NA: None applicable

**Specified Model**

Model	Description	<input type="checkbox"/> CP	<input type="checkbox"/> Other_____
K-T10182-7	Thermostatic valve trim	<input type="checkbox"/> CP	<input type="checkbox"/> Other_____
K-T10183-7	Stacked thermostatic valve trim	<input type="checkbox"/> CP	<input type="checkbox"/> Other_____
K-T10184-7	Volume control trim	<input type="checkbox"/> CP	<input type="checkbox"/> Other_____
K-T10185-7	Transfer valve trim	<input type="checkbox"/> CP	<input type="checkbox"/> Other_____

Required Accessories		
K-2972-KS (replaces K-679-KS)	1/2" Thermostatic valve	<input type="checkbox"/> NA
K-2973-KS (replaces K-680-KS)	1/2" Stacked thermostatic valve	<input type="checkbox"/> NA
K-2974-K (replaces K-681-K)	1/2" Volume control	<input type="checkbox"/> NA
K-2975-KS (replaces K-669-KS)	3/4" Thermostatic valve	<input type="checkbox"/> NA
K-2976-KS (replaces K-670-KS)	3/4" Stacked thermostatic valve	<input type="checkbox"/> NA
K-2977-K (replaces K-671-K)	3/4" Volume control	<input type="checkbox"/> NA
K-728-K	3/4" Transfer valve	<input type="checkbox"/> NA
K-737-K	3/4" Diverter valve	<input type="checkbox"/> NA

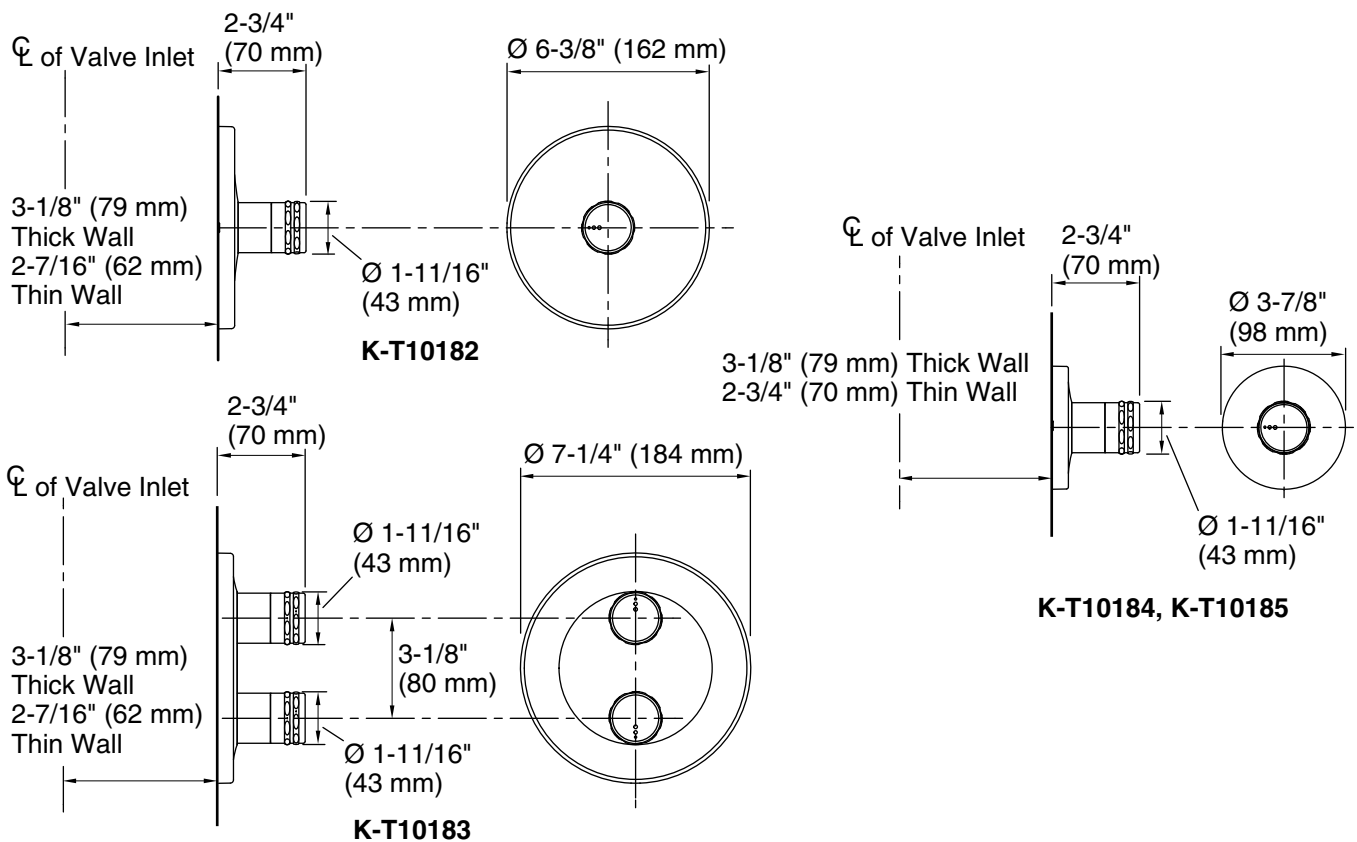
**Product Specification**

The thermostatic valve trim shall be made of brass construction. Trim shall include front seal plate assembly and handle assembly. Faucet trim shall be Kohler Model K-T\_\_\_\_\_-\_\_\_\_\_-\_\_\_\_\_ and thermostatic valving shall be K-\_\_\_\_\_-\_\_\_\_\_-NA.

# MASTERSHOWER®

## Installation Notes

Install this product according to the installation guide.



### Product Diagram