

ELKAY® SPECIFICATIONS

Lustertone® Double Bowl Sinks Models LR and LRQ Series Models LRAD and LRADQ – A.D.A. Compliant Series

GENERAL

Highest quality sink bowls seamlessly formed of #18 gauge, type 304 (18-8) nickel bearing stainless steel. Self-rimming.

DESIGN FEATURES

LR Bowl Depths: 7-7/8" (LR(Q)3321) or 7-5/8" (all others).

LRAD Bowl Depths: 5-1/2", 6" or 6-1/2".

Coved Corners: 1-3/4" vertical and horizontal radius.

Bowl and Faucet Deck Recess: 3/16" below outside edge of sink.

Finish: Exposed surfaces are hand blended to a lustrous highlighted satin finish.

Underside: Fully undercoated to dampen sound and prevent condensation. LR(Q)3321 is fully protected by heavy duty Sound Guard® undercoating.

OTHER

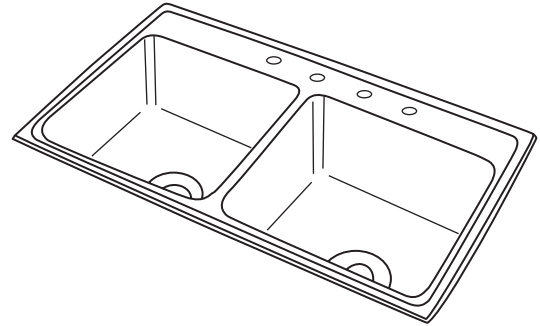
LR Series Drain Openings: 3-1/2" and centered in bowls as illustrated.

LRAD(Q)2918 Drain Openings: 3-1/2" and centered in the bowls.

LRAD(Q)2922, LRAD(Q)3319, LRAD(Q)3321 and LRAD(Q)3722 Drain Openings: 3-1/2" and located centered left-to-right and off-center front-to-back in each bowl as illustrated.

NOTE: Unless otherwise specified, sink is furnished with 4 faucet holes as shown.

These sinks comply with ANSI Standard A112.19.3M.



Model LR(Q)33214

SINK DIMENSIONS (INCHES)*

U-Channel Model Number	Quick-Clip® Model Number	Overall		Inside Each Bowl			Cutout in Countertop (1 1/2" Radius Corners)		No. of 1 1/2" Dia. Faucet Holes 4" Center	3 1/2" Drain Openings (see above for details)	Minimum Cabinet Size	Ship. Wt. Lbs.
		L	W	L	W	D	L	W				
		A	B	C	D	E	L	W				
LR(Q) Series												
LR2519	LRQ2519	25	19 1/2	10	14	7 5/8	24 3/8	18 7/8	1,2,MR2,3,4, or 5	Centered	30	15
LR2918	LRQ2918	29	18	12	12	7 5/8	28 3/8	17 3/8	1,2,MR2,3,4, or 5	Centered	33	16
LR2922	LRQ2922	29	22	11 1/2	16	7 5/8	28 3/8	21 3/8	1,2,MR2,3,4, or 5	Centered	33	17
LR3319	LRQ3319	33	19 1/2	14	14	7 5/8	32 3/8	18 7/8	1,2,MR2,3,4, or 5	Centered	36	19 3/4
LR3321	LRQ3321	33	21 1/4	13 1/2	16	7 7/8	32 3/8	20 5/8	1,2,MR2,3,4, or 5	Centered	36	22
LR3722	LRQ3722	37	22	16	16	7 5/8	36 3/8	21 3/8	1,2,MR2,3,4, or 5	Centered	42	24
LR4322	LRQ4322	43	22	19	16	7 5/8	42 3/8	21 3/8	1,2,MR2,3,4, or 5	Centered	48	26
LRAD(Q) Series												
LRAD2918	LRADQ2918	29	18	12	12	**	28 3/8	17 3/8	1,2,MR2,3,4, or 5	Centered	33	16
LRAD2922	LRADQ2922	29	22	11 1/2	16	**	28 3/8	21 3/8	1,2,MR2,3,4, or 5	Off-Centered	33	17
LRAD3319	LRADQ3319	33	19 1/2	14	14	**	32 3/8	18 7/8	1,2,MR2,3,4, or 5	Off-Centered	36	19 3/4
LRAD3321	LRADQ3321	33	21 1/4	13 1/2	16	**	32 3/8	20 5/8	1,2,MR2,3,4, or 5	Off-Centered	36	22
LRAD3722	LRADQ3722	37	22	16	16	**	36 3/8	21 3/8	1,2,MR2,3,4, or 5	Off-Centered	42	24

*Length is left to right. Width is front to back.

**Available in 5-1/2", 6" and 6-1/2" depths. Please consult your sales representative for other depths or modifications.

SEE OTHER SIDE FOR PRODUCT DIMENSIONS.

THIS PRODUCT, AS CONSTRUCTED IS SUBJECT TO INTERPRETATION OF A.D.A. REQUIREMENTS.
THE UNOBSTRUCTED KNEE SPACE REQUIRED TO SATISFY A.D.A. STANDARDS MAY NOT BE DESIRABLE.

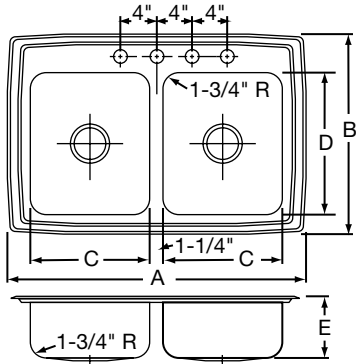
ALL DIMENSIONS IN INCHES, TO CONVERT TO MILLIMETERS MULTIPLY BY 25.4.

In keeping with our policy of continuing product improvement, Elkay reserves the right to change product specifications without notice.

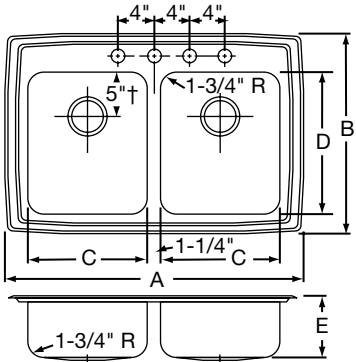
This specification describes an Elkay product with design, quality and functional benefits to the user. When making a comparison of other producers' offerings, be certain these features are not overlooked.

Lustertone® Double Bowl Sinks
Models LR and LRQ Series
Models LRAD and LRADQ – A.D.A. Compliant Series

ELKAY®
SPECIFICATIONS

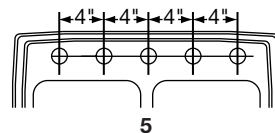
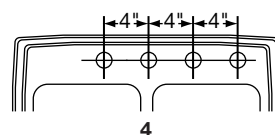
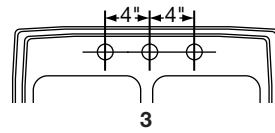
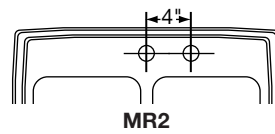
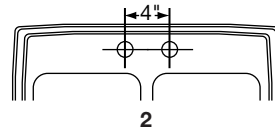
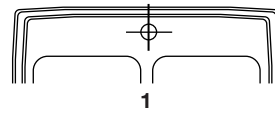


Model LR(Q) Series Illustrated
 Model LRAD(Q) Series Centered Drain

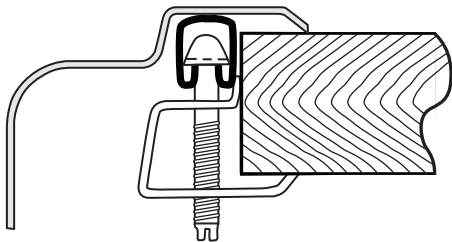


Model LRAD(Q) Series Off-Centered Drain
 Model Only Illustrated
 † 4-1/2" LRAD(Q)2922

HOLE DRILLING CONFIGURATIONS



U-Channel Type Mounting System



Quick-Clip® Mounting System

