



Engineered for life



Centrifugal Pumps

Applications

Specifically designed for the following uses:

- Hot Water Circulation
- Radiant Floor Heating
- Liquid Transfer
- Solar Applications
- General Purpose Pumping

Specifications

Pump:

- Max Capacities: 7 GPM
- Max Head: 14.5'
- Pipe Connections:
 - 1/2" FPT and 1/2" Sweat Suction and Discharge
 - 1/2" Union Connection
- Maximum Working Pressure: 150 PSI
- Maximum Temperature: 203° F
- Rotation: counter clockwise when viewed from the motor end

Motor:

- Electronically Commutated DC Spherical Motor
- Canned Spherical Motor Type
- 8-24 Volt DC
- Automatic Overload Protection
- Low In-Rush Current

Features

Compact Design:

Close coupled, space saving design provides easy installation.

Mounting:

Pump can be mounted horizontally or vertically with motor end down.

Construction:

Wetted parts are brass, 316SS, thermoplastic, carbon and ceramic for superior corrosion resistance.

Ceramic Bearing Ball and Carbon Bearing Cap:

High density ceramic bearing ball and graphite impeller bearing cap designed for high efficiency and long life.

Impeller:

Highly efficient and dynamically balanced with carbon bearing for smooth ultra quiet operation.

Casing:

Casing is brass construction.

Mechanical Seal:

Unique patented design has no mechanical seal which is a potential leak path.

Motor:

Highly efficient and ultra quiet spherical motor design. Pump is designed for continuous operation. All ratings are within working limits of the motor.

Electronics:

Embedded microprocessor control is self regulating and available with variable speed with PWM input or dial control (potentiometer) on the pump.

Noise level:

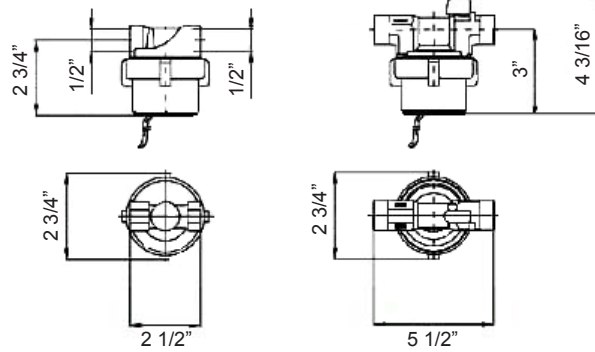
Whisper quiet, less than 40 db.

Weight:

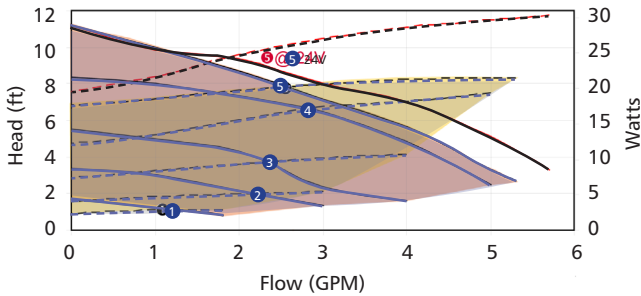
Lightweight construction weighs less than 2lbs.

Materials of Construction (Wetted Parts)

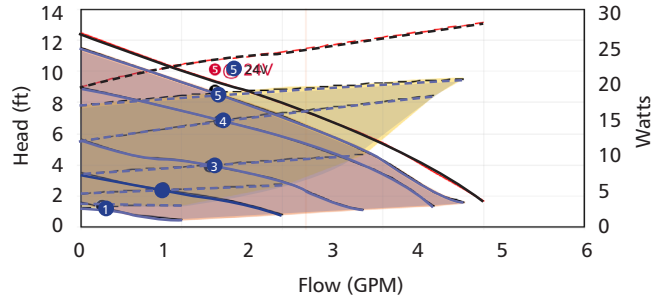
Part	Materials
Pump Housing	Brass
"O" Ring	EPDM or Viton
Impeller	Polyphenylene Oxide (PPO)
Bearing	Carbon/Allumina Ceramic
All Other Wetted Parts	316 Stainless Steel or Plastic



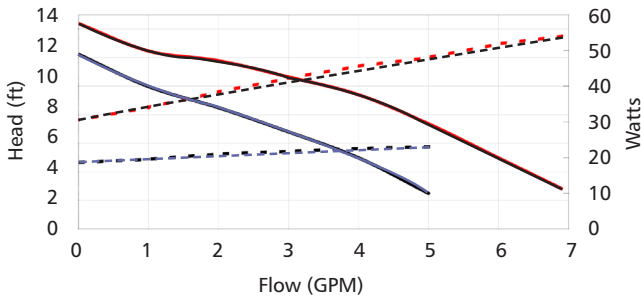
BS and BT Curve (Vario)



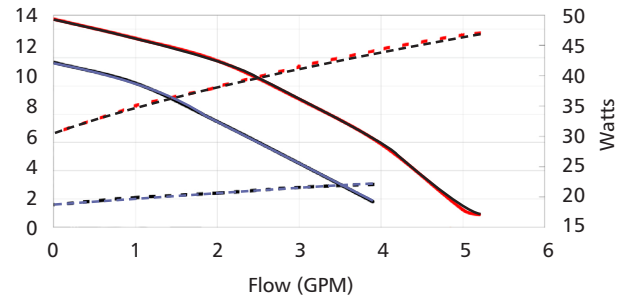
UCT Curve (Vario)



BS and BT Curve (Strong)



UCT Curve (Strong)



ITT
3878 S. Willow, Suite 104
Fresno, CA 93725
Tel: (559) 265-4730 (800) 554-6853
Fax: (559) 265-4740 (800) 453-7523
www.lainginc.com



Engineered for life