

Industrial

5-MSP Series



Applications

- For commercial, industrial, and home applications where water must be transferred or recirculated

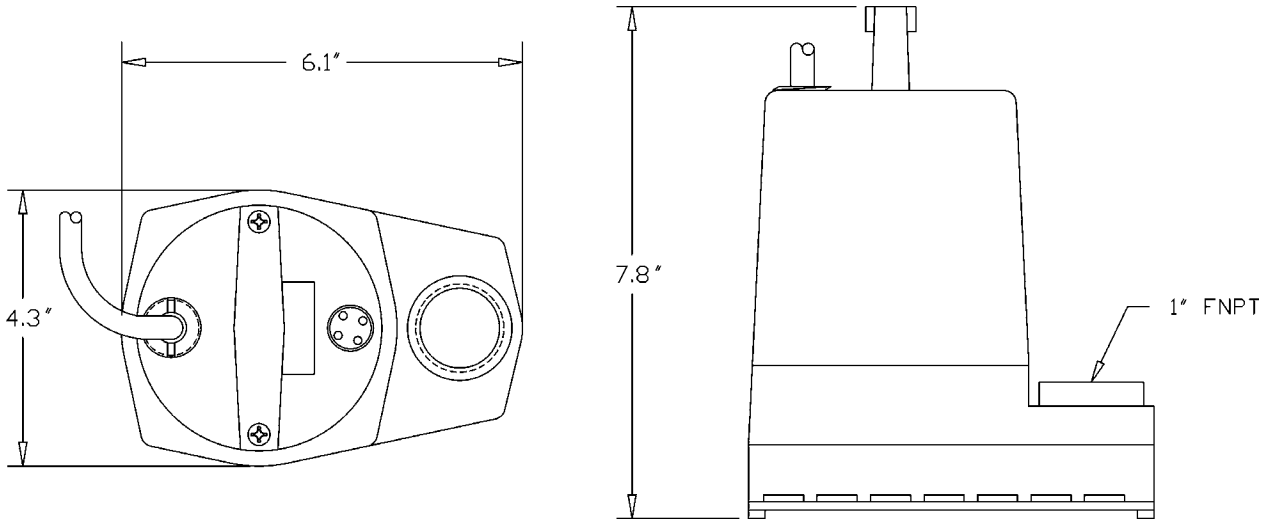
Features

- 1/6 hp oil-filled motor
- Epoxy-coated die cast aluminum housing
- 1" FNPT discharge
- Screened intake
- Intermittent liquid temperature up to 120 °F
- Thermal overload protection
- 26.3' maximum lift
- For submersible use only

Construction

- Housing – Epoxy-coated cast aluminum
- Cover – Epoxy-coated cast aluminum
- Volute – Nylon
- Impeller – Nylon
- Shaft Seal – Fluoroelastmer (FKM)
- Screen – Nylon

Engineering Data



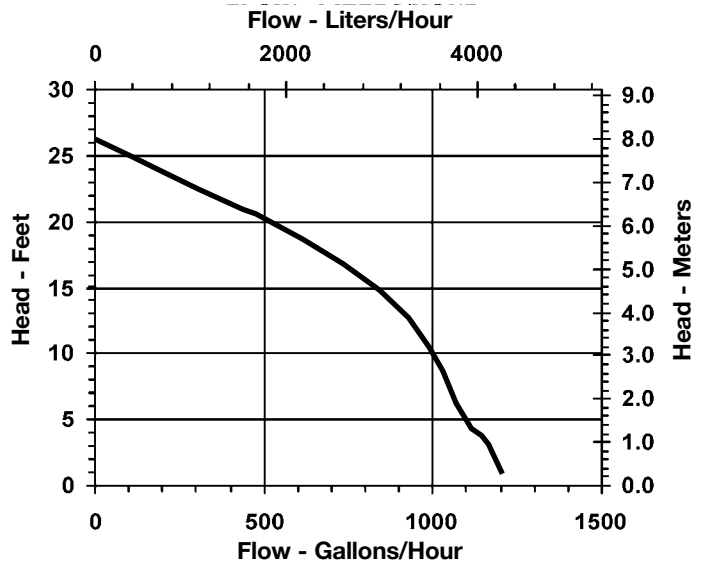
Specifications

Item No.	Model No.	Listing(s)	HP	Volts	Hz	Amps	Watts	Discharge	Performance (GPH @ Head)					Shut Off		Cord Length (ft)	Weight (lbs)	Dimensions H X L X W (in)
									1'	3'	5'	10'	20'	Ft	PSI			
505000	5-MSP	cCSAus	1/6	115	60	5.0	380	1" FNPT	1200	1170	1100	1000	520	26.3	11.4	10	8.25	7.8" x 6.1" x 4.3"
505176	5-MSP	cCSAus	1/6	115	60	5.0	380	1" FNPT	1200	1170	1100	1000	520	26.3	11.4	18	8.50	7.8" x 6.1" x 4.3"
505025	5-MSP	cCSAus	1/6	115	60	5.0	380	1" FNPT	1200	1170	1100	1000	520	26.3	11.4	25	8.75	7.8" x 6.1" x 4.3"
505500	5-MSP	—	1/6	127	60	5.8	380	1" FNPT	1200	1170	1100	1000	520	26.3	11.4	10	8.25	7.8" x 6.1" x 4.3"
505501	5-MSP	—	1/6	127	60	5.8	380	1" FNPT	1200	1170	1100	1000	520	26.3	11.4	18	8.50	7.8" x 6.1" x 4.3"
505202	5-MSP	—	1/6	230	60	2.5	380	1" FNPT	1200	1170	1100	1000	520	26.3	11.4	12	8.25	7.8" x 6.1" x 4.3"

Replacement Parts

Volute	105375
Screen	105376
Impeller	105310
Handle	105918
Adapter (GH)	599030
Seal Ring (volute)	928024

Performance Data



P.O. Box 12010
 Oklahoma City, OK 73157-2010
 Phone: 1.800.701.7894
 Fax: 1.800.678.7867
 www.LittleGiantPump.com