



Buy it for looks. Buy it for life.®

Specifications

FAUCET DESCRIPTION

- Metal construction with various finishes identified by suffix
- Flexible supplies with 3/8" compression fittings
- Includes side spray with Hydrolock® quick connect system

OPERATION

- Lever style handle
- Temperature controlled by 100° arc of handle travel
- Operates with less than 5 lbs. of force

FLOW

- Spout flow is limited to 1.5 gpm max (5.7L/min) at 60 psi
- Diverted flow at sidespray limited to 2.0 gpm max (7.6L/min) at 60 psi

CARTRIDGE

- 1255™ Duralast™ cartridge
- Nonmetallic/nonferrous and stainless steel material

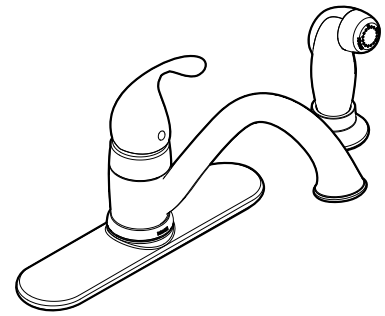
STANDARDS

- Third party certified to IAPMO Green, ASME A112.18.1/CSA B125.1 and all applicable requirements referenced therein including NSF 61/9
- Meets Calgreen and Georgia SB370 requirements
- Contains no more than 0.25% weighted average lead content
- Complies with California Proposition 65 and with the Federal Safe Drinking Water Act

- **ADA**  for lever handle

WARRANTY

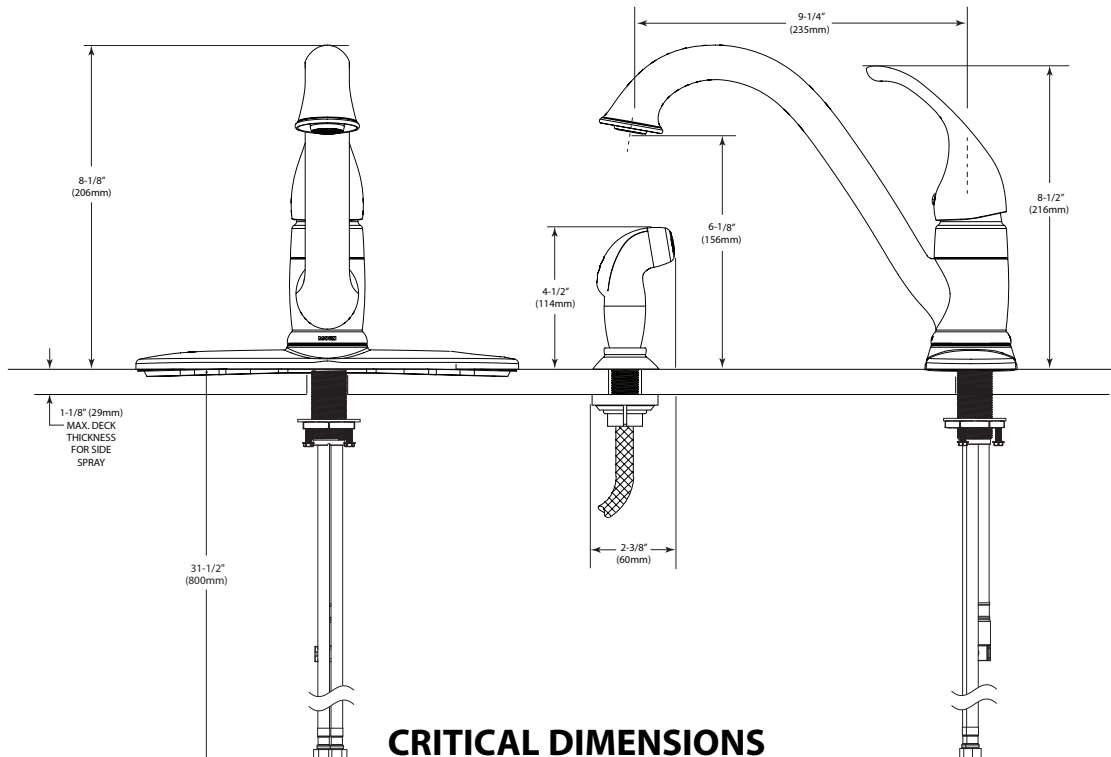
- Lifetime limited warranty against leaks, drips and finish defects to the original consumer purchaser
- 5 year warranty if used in commercial installations



Camerist™ Single Handle Lever Kitchen Faucet

Models: 7840 series
7825 series (without spray)
67840 series (bulk pack)

NOTE: DESIGNED TO INSTALL THROUGH
1 HOLE, 1-1/4" (32mm) MIN. DIA. OR 2 HOLES
1-1/4" (32mm) MIN. DIA. AND 4" ON CENTER



CRITICAL DIMENSIONS

(DO NOT SCALE)