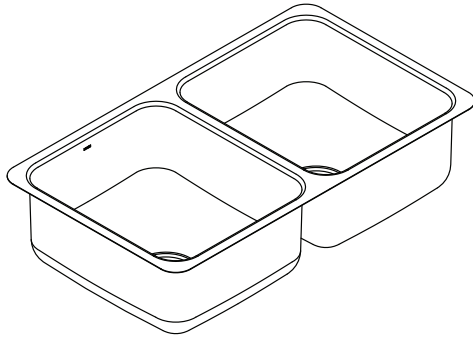




Buy it for looks. Buy it for life.®

Specifications



Model Number	Faucet Holes	Depth-Inches	Drain Placement	Model Specified
G20210	n/a	7.5	Center	
G20214	n/a	6	Center	

SINK DESCRIPTION

- 2000 Series double bowl undermount sink
- 20 gauge stainless steel, Brushed finish
- Center drain location
- Mounting brackets included, other standard mounting hardware and silicone sealant not included
- SoundSHIELD sound absorbing system

CUT OUT DIMENSIONS

- Template included - template number 22508

STANDARDS

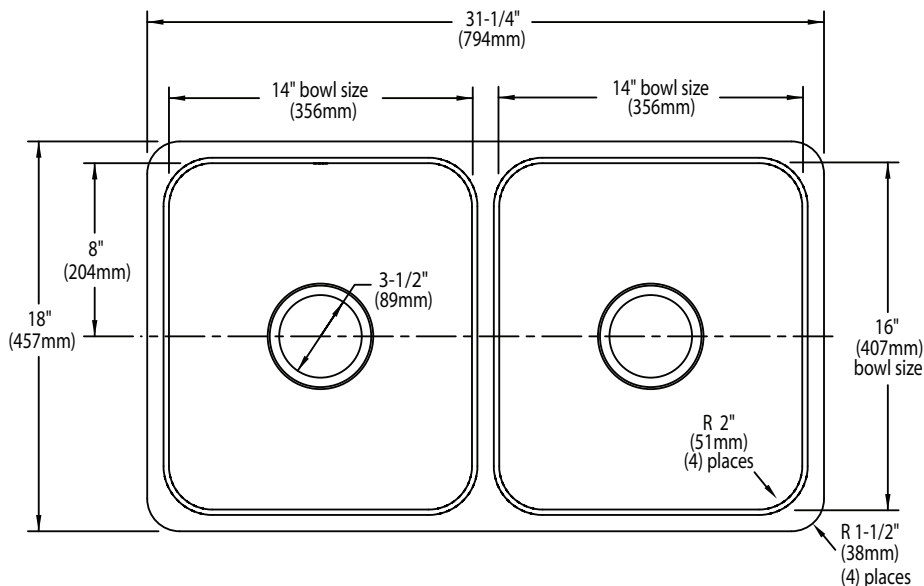
- Third party certified by IAPMO to meet ASME A112.19.3/CSA B45.4 and all applicable specifications referenced therein

WARRANTY

- Limited lifetime warranty against material or manufacturing defects to the original consumer purchaser

CRITICAL DIMENSIONS

(DO NOT SCALE)



MADE IN THE USA

Installation Detail

