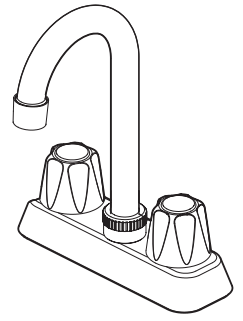


- 171-4000 Finish(PC)
- G171-4000 Finish(PC)



## Specifications

### Features

- 1.8 GPM Flow Rate (G171 Only)
- 2.2 GPM (8.3 L/M) Flow Rate (171 Only)
- Metal Verve® Handles
- Washerless Valves
- Pforever Warranty®

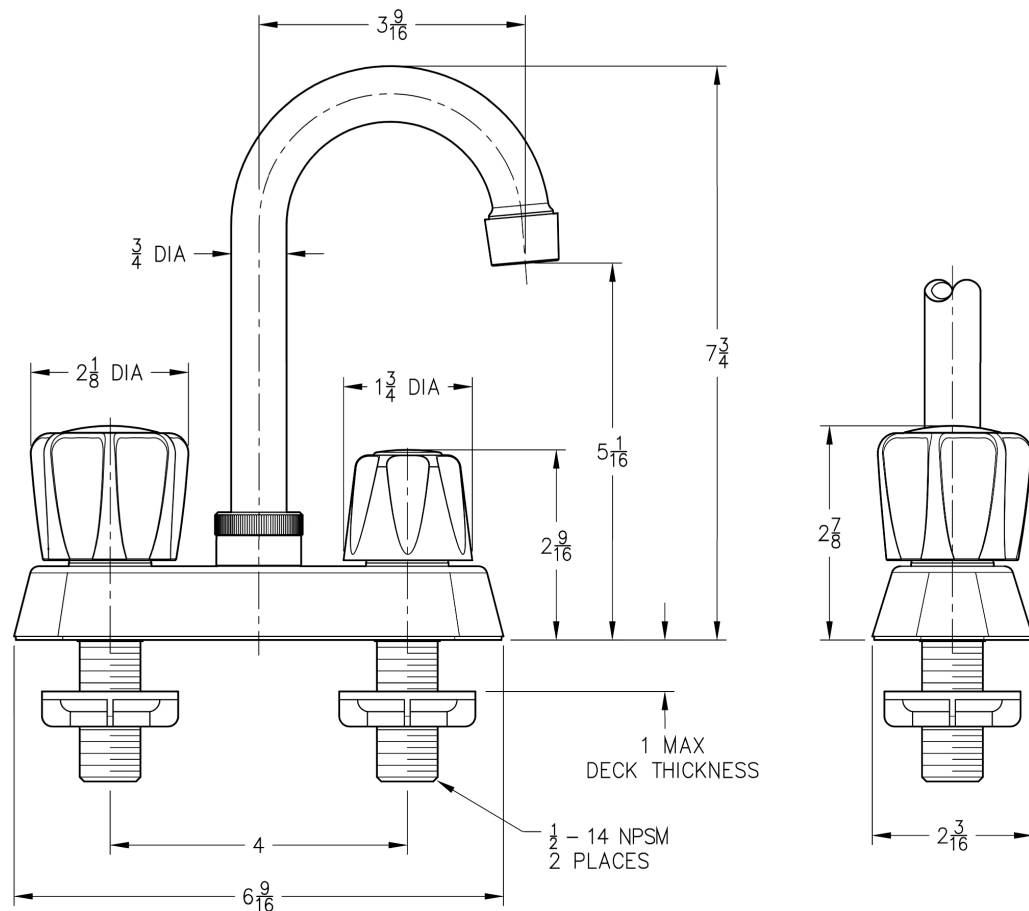
### Code Compliance

Pfister products are designed and manufactured in compliance with the following standards and codes:

- IAPMO Certified
- CSA B125 Certified
- ASME A112.18.1
- NSF 61/9 Annex G (Low lead) (G171 Only)
- Cal Green Compliant (G171 Only)



## Dimensions



Ø1-3/8 Min to Ø1-1/2 Max. Deck Hole Openings