

CHICAGO FAUCETS



2100 SOUTH CLEARWATER DRIVE
DES PLAINES, ILLINOIS 60018-5999

Last As Long As The Building

FITTING NO.

752

SUBMITTED MODEL NO.

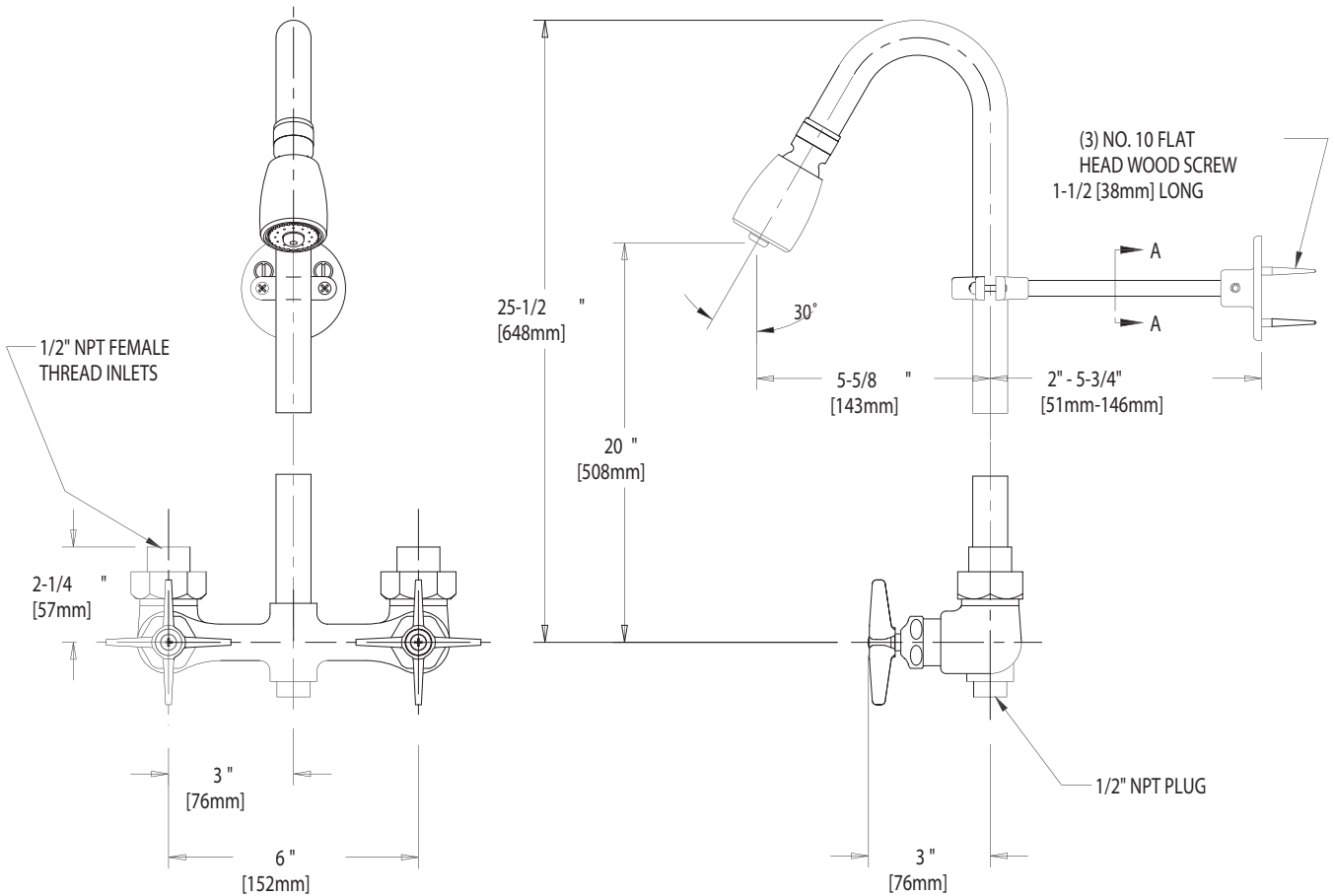
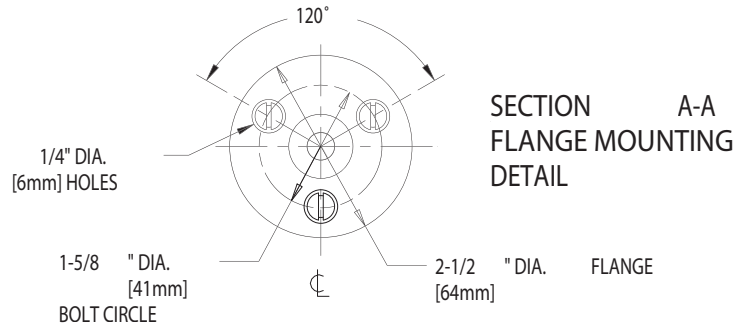
JOB NAME

ITEM NO.

SUBMITTED AS SHOWN

SUBMITTED AS NOTED

SEE ATTACHED FOR
SUBMITTED MODIFICATION



DIMENSIONS IN INCHES AND [MILLIMETERS].

TECHNICAL DATA

- EXPOSED TWO VALVE SHOWER FITTING
- 25-1/2" SHOWER RISER WITH WALL SUPPORT
- 633 INDEXED 4-ARM HANDLES
- SLO-COMPRESSION CARTRIDGES
- FINISH: CHROME PLATED OR ROUGH CHROME

- 620 SHOWER HEAD
- 2.5 GPM [9.5 L/min.]
- ANSI A112.18.1 COMPLIANT
- CSA B125 COMPLIANT

@ 80 PSI

DATE: 4-19-02

BY: JAR

CHK'D:

APP'D:

REV: A

752

IS ASSUMED FOR USE OF SUPERCEDED OR VOIDED DATA. (0192-1)

ROUGHING IN DIMENSIONS MAY VARY AND ARE SUBJECT TO CHANGE. NO RESPONSIBILITY