

Lead Free Brass EzPress Tankless Water Heater Valve Kit

Feature

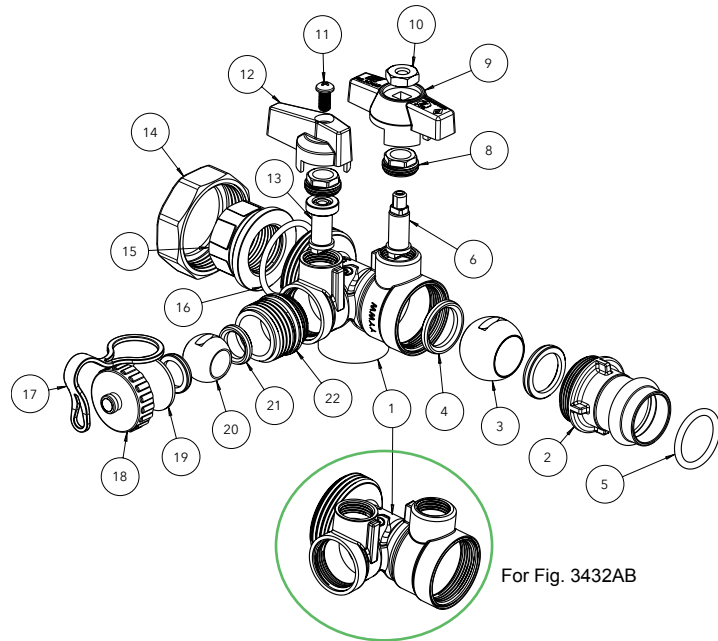
- 600# WOG (non-shock)
- Lead free brass construction
- ¼ turn operation
- Full port
- Adjustable packing
- Blow-out proof stem
- Integral hose end drain/purge valve
- EzPress end x FNPT tailpiece (ASME B1.20.1 - NPT)
- Integral relief valve port (3/4")
 - 3430RAB: 200K BTU/hr relief
 - 3430SAB: 500K BTU/hr relief
 - 3430TAB: 2.7M BTU/hr relief
- AB1953, NSF/ANSI 61 & 372 certified



- 3431AB: Hot valve operation (red handle)
- 3432AB: Cold valve operation (blue handle)

Material

Part	Material	Specification
1	Body	Lead Free Brass ASTM B927 C27450
2	Fixed end	DZR Lead Free Brass ASTM B927 C27453
3	Ball	Lead Free Brass / Cr plated ASTM B927 C27450
4	Seat	PTFE PTFE
5	O-ring	EPDM Perox NSF approved
6	Stem	Lead Free Brass ASTM B927 C27450
7	Packing ring	PTFE PTFE
8	Packing nut	Brass ASTM B124 C37700
9	T-handle	Aluminum ASTM B85
10	Handle nut	Steel /Zn plated ASTM A36
11	Handle screw	Steel /Zn plated ASTM A36
12	Handle	Aluminum ASTM B85
13	Stem	Lead Free Brass ASTM B927 C27450
14	Union nut	Brass ASTM B283 C37700
15	Union	Lead Free Brass ASTM B927 C27450
16	O-ring	EPDM Perox NSF approved
17	Cap retainer	Rubber -
18	Drain cap	Brass ASTM B283 C37700
19	Drain gasket	EPDM Perox NSF approved
20	Ball	Lead Free Brass / Cr plated ASTM B927 C27450
21	Seat	PTFE PTFE
22	Fixed end	Lead Free Brass ASTM B927 C27450



For Fig. 3432AB

Dimension, Weight

Size	ΦNPT [in]	ΦSC [in]	Φ [in]	ΦP [in]	A [in]	B [in]	C [in]	H [in]	Wt.* [lb]
¾"	¾ - 14NPT	¾ - 14NPT	0.86	0.73	4.78	2.35	1.14	1.66	1.80 / 1.68
1"	1 - 11.5NPT	¾ - 14NPT	1.14	0.98	4.99	2.54	1.35	2.11	1.93 / 1.80

* 3431AB / 3432AB

3431AB

3432AB

