

DESCRIPTION

- Metal construction with various finishes identified by suffix
- 1/2" IPS connection

OPERATION

- Flow levers operate counterclockwise through 180 degree arc with off at 6 o'clock and maximum flow at the 12 o'clock position. Shut off in clockwise direction


FLOW

- 5.5 gpm @ 45 psi

CARTRIDGE

- 1224 cartridge design
- Nonmetallic and stainless steel materials

STANDARDS

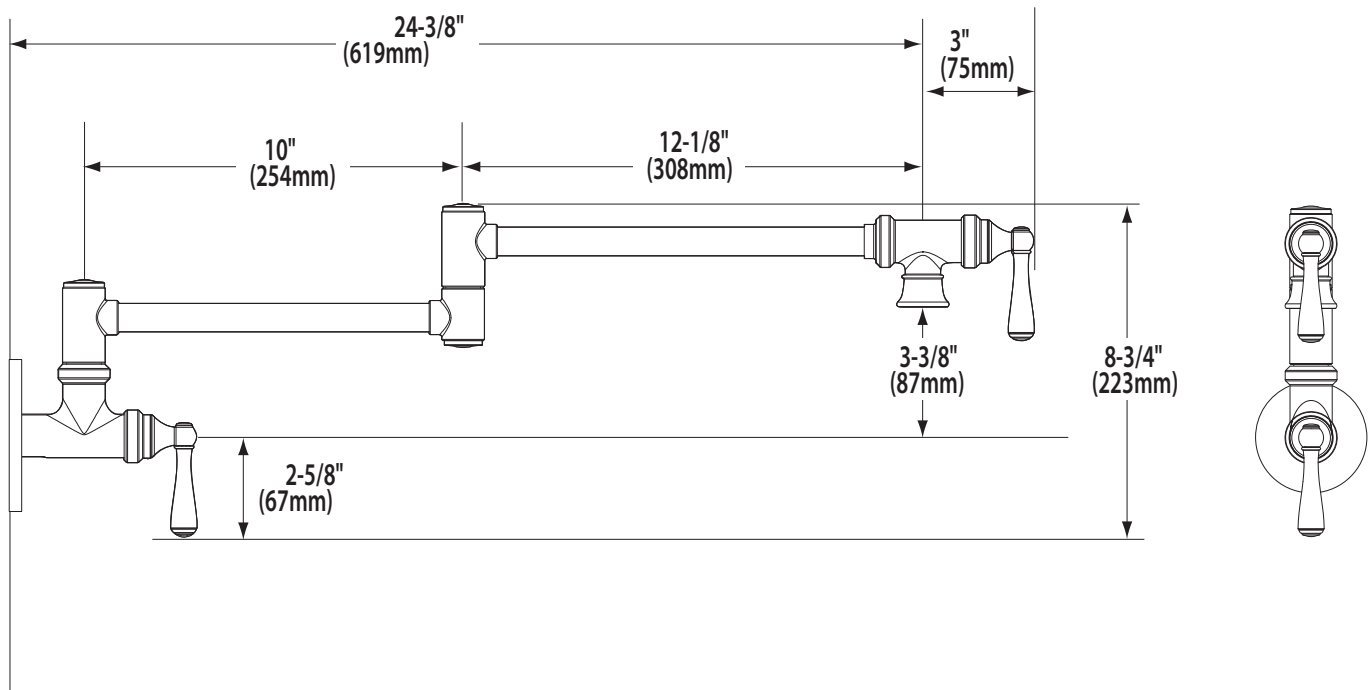
- Third party certified to ASME A112.18.1/CSA B125.1 and all applicable requirements therein including NSF 61/9
- Complies with California Proposition 65 and with the Federal Water Drinking Act
- **ADA**  for lever handles

WARRANTY

- Lifetime limited warranty against leaks, drips and finish defects to the original consumer purchaser
- 5 year warranty if used in commercial installations

Pot-Filler Faucet

Models: S664 series



CRITICAL DIMENSIONS

(DO NOT SCALE)