

 **BARRIER FREE**

WHEELCHAIR USERS LAVATORY

- Vitreous china
- Front overflow
- For concealed arms support (by others)
- Faucet ledge (faucet not included)

- 9141.011**
Faucet holes on 102mm (4") centers
(Illustrated)
- 9141.029**
Faucet holes on 102mm (4") centers
 - Extra right-hand hole
- 9141.035**
Faucet holes on 102mm (4") centers
 - Extra left-hand hole
- 9141.911**
Faucet holes on 102mm (4") centers
 - Less overflow
- 9140.013**
Faucet holes on 267mm (10-1/2") centers
- 9140.021**
Faucet holes on 267mm (10-1/2") centers
 - Extra right-hand hole
- 9140.039**
Faucet holes on 267mm (10-1/2") centers
 - Extra left-hand hole
- 9140.913**
Faucet holes on 267mm (10-1/2") centers
 - Less overflow
- 9140.047**
Center hole only
- 9140.947**
Center hole only
 - *Less overflow

Nominal Dimensions:
508 x 686mm
(20" x 27")

**Compliance Certifications -
Meets or Exceeds the Following Specifications:**

- ASME A112.19.2 for Vitreous China Fixture

 Top of front rim mounted 864mm (34") from finished floor.
**MEETS THE AMERICAN DISABILITIES ACT GUIDE-
LINES AND ANSI A117.1 ACCESSIBLE AND USEABLE
BUILDINGS AND FACILITIES - CHECK LOCAL CODES.**



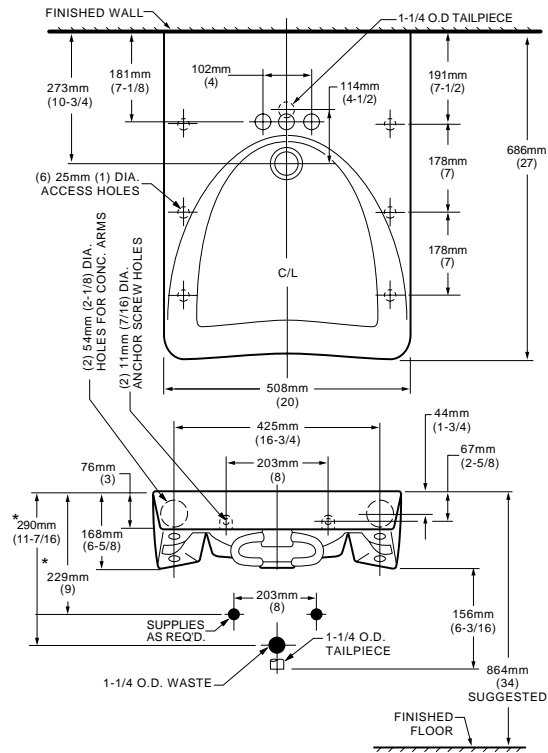
NOTE: Roughing-in information shown on reverse side of page

To Be Specified

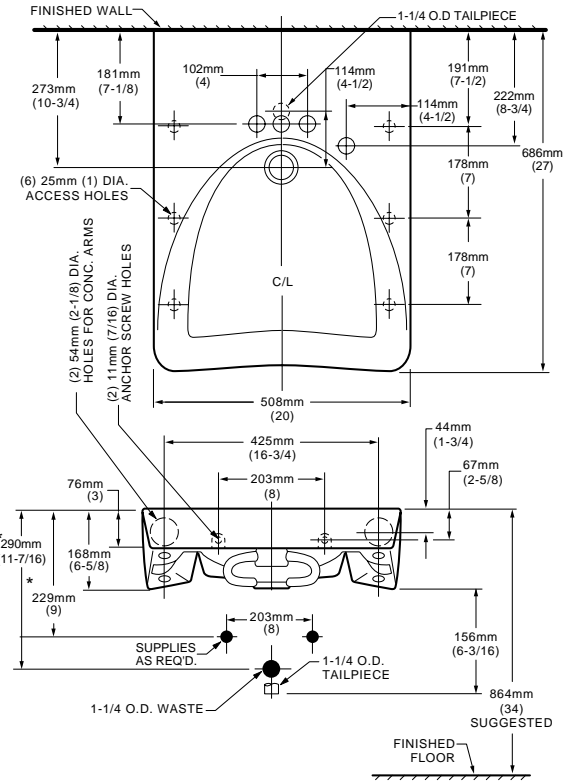
- Color:
- Faucet*:
- Faucet Finish:
- Supplies with Stop:
- 1-1/4" Trap:
- Nipple:
- Concealed Arms Support (by others):
- Offset Grid Drain Assembly: 7723.018

* See faucet section for additional models available

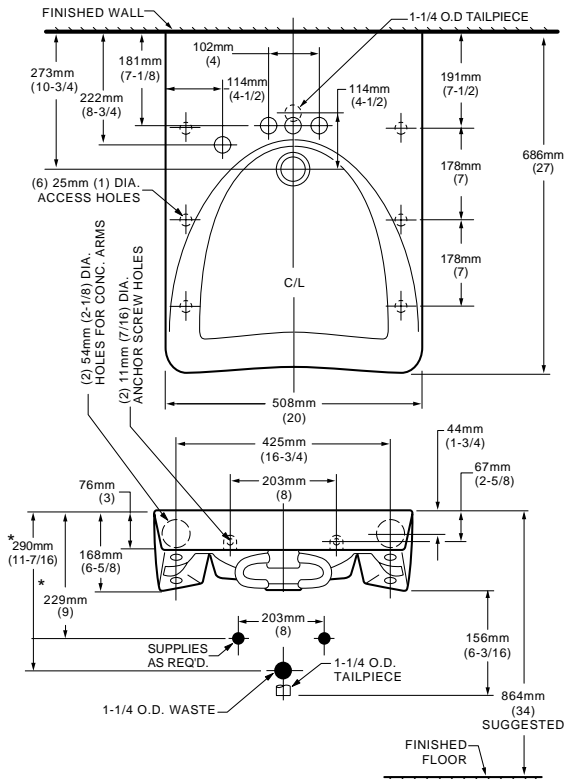
9141.011



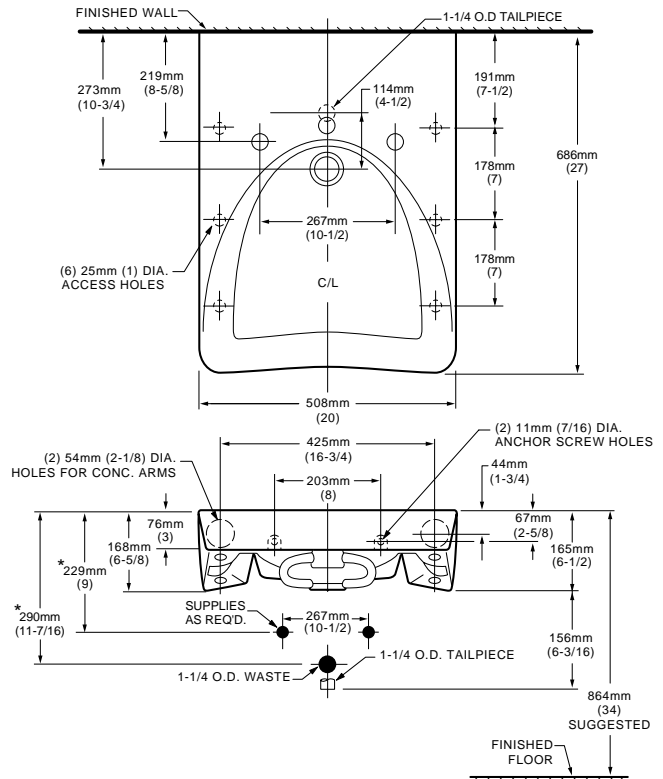
9141.029



9141.035

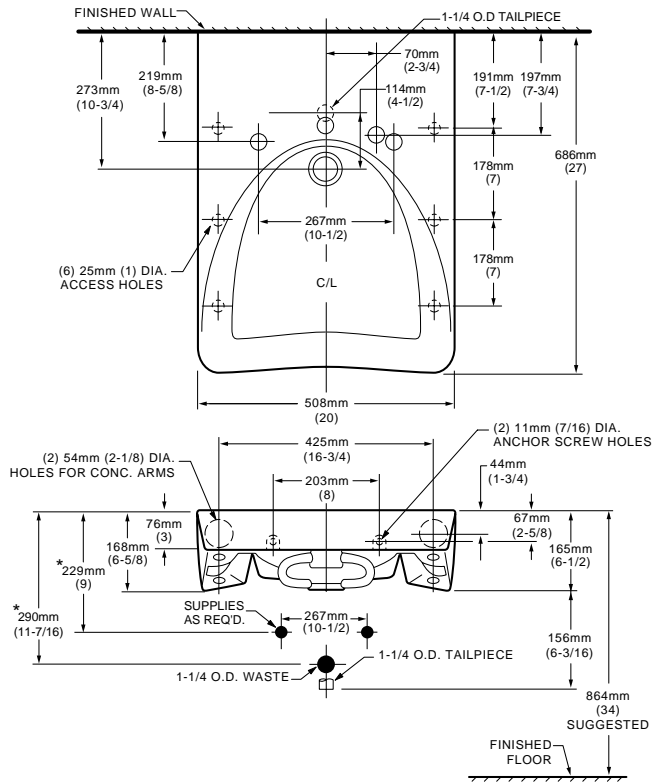


9140.013

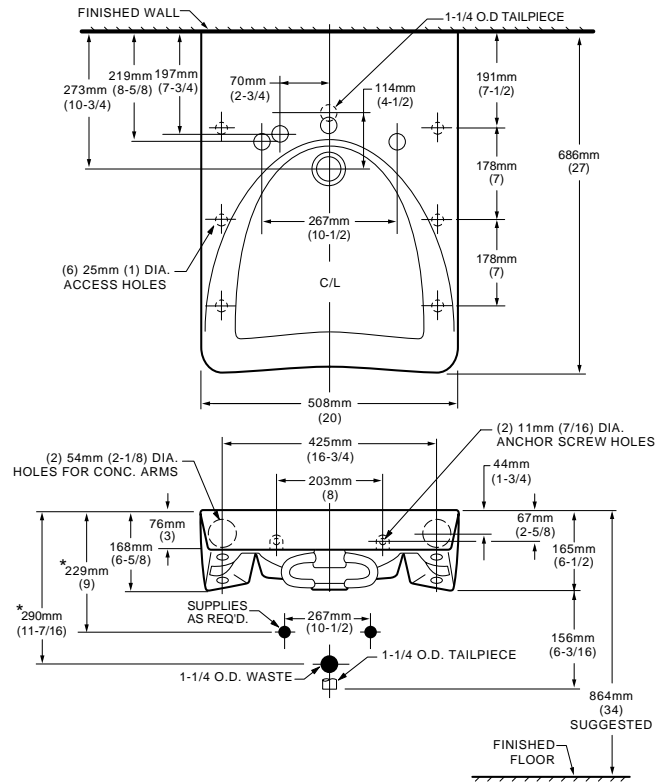




9140.021



9140.039



Top of front rim mounted 864mm (34") from finished floor.
MEETS THE AMERICAN DISABILITIES ACT GUIDELINES AND ANSI A117.1 ACCESSIBLE AND USEABLE BUILDINGS AND FACILITIES - CHECK LOCAL CODES.

NOTES:

- * DIMENSIONS SHOWN FOR LOCATION OF SUPPLIES AND "P" TRAP ARE SUGGESTED.
- CONCEALED ARM SUPPORT AS REQUIRED TO BE FURNISHED BY OTHERS.
- FITTINGS NOT INCLUDED AND MUST BE ORDERED SEPARATELY.
- PROVIDE SUITABLE REINFORCEMENT FOR ALL WALL SUPPORTS.

IMPORTANT: Dimensions of fixtures are nominal and may vary within the range of tolerances established by ANSI Standard A112.19.2. These measurements are subject to change or cancellation. No responsibility is assumed for use of superseded or voided pages.