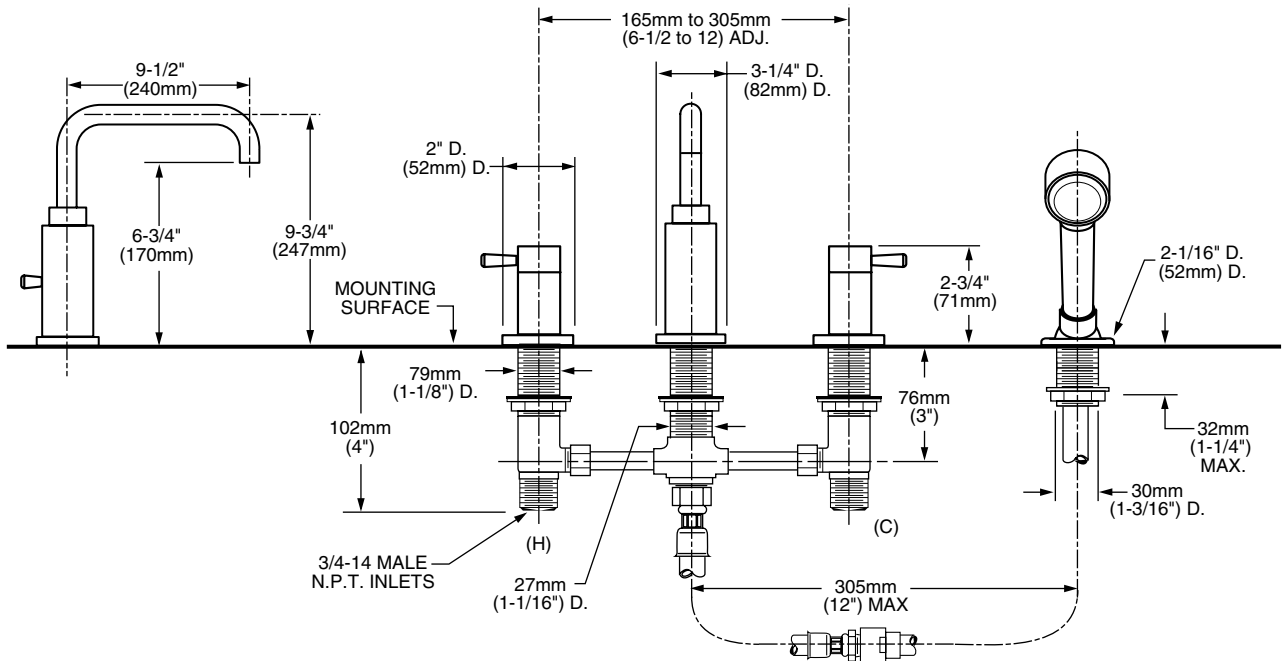


**2064.901 Shown**

**MODEL NUMBER:**

- ☐ **2064.901 Deck-Mount Tub Filler**  
Personal shower. Metal Lever handles.
- ☐ **2064.900 Deck-Mount Tub Filler**  
Less personal shower. Metal Lever handles.



**GENERAL DESCRIPTION:**

Durable brass spout with built-in diverter (on 2064.901). Rigid brass and copper waterway below deck provided for 12" installations (can be cut for 8" installations). Brass valve bodies with 3/4" NPT inlets. 1/4 turn washerless ceramic disc valve cartridges. Personal shower features a 6-1/2' long hose (1-1/2' heavy duty hose and 5' decorative hose.) 2.5 gpm/9.5L/min. maximum flow rate.

**PRODUCT FEATURES:**

**Brass Construction:** Durable. Ideal for prolonged contact with water. Provides the finest surface for application of all finishes.

**Ceramic Disc Valve Cartridges:** Assures a lifetime of drip-free performance.

**Exclusive Handle Alignment System:** Allows fine tuning of handle position.

**Choice of Finishes:** Available in Polished Chrome or Satin Nickel (PVD).

**SUGGESTED SPECIFICATION:**

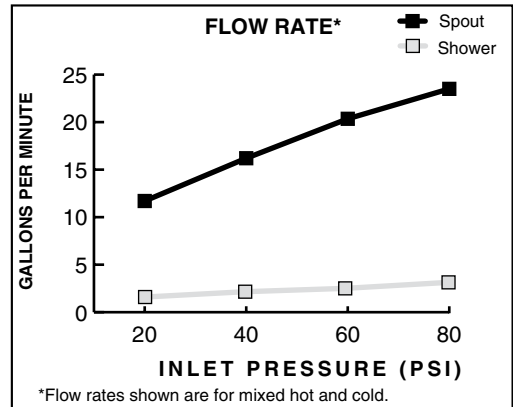
Two handle deck-mount tub filler shall feature brass construction with brass and copper waterway. Shall also feature 1/4 turn washerless ceramic disc valve cartridges. Fitting shall be American Standard Model #2064.\_\_\_\_.

**CODES AND STANDARDS**


These products meet or exceed the following codes and standards:

- ANSI A117.1**
- ASME A112.18.1**
- CSA B125**

Check local plumbing codes. Some installations may require a vacuum breaker.



Product Number	Description	Finish Options	
		Polished Chrome	PVD Satin Nickel
		002	295
2064.901	Deck-Mount Tub Filler. Personal shower. Metal Lever handles.		
2064.900	Deck-Mount Tub Filler. Less personal shower. Metal Lever handles.		

 Meets the American Disabilities Act Guidelines and **ANSI A117.1** Requirements for the physically challenged.