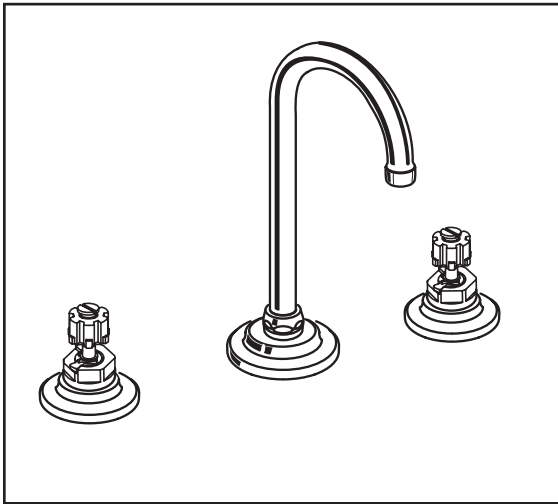


*American Standard*

## HERITAGE/AMARILIS TWO-HANDLE PANTRY/BAR SINK FAUCET WITH BRASS GOOSENECK SPOUT

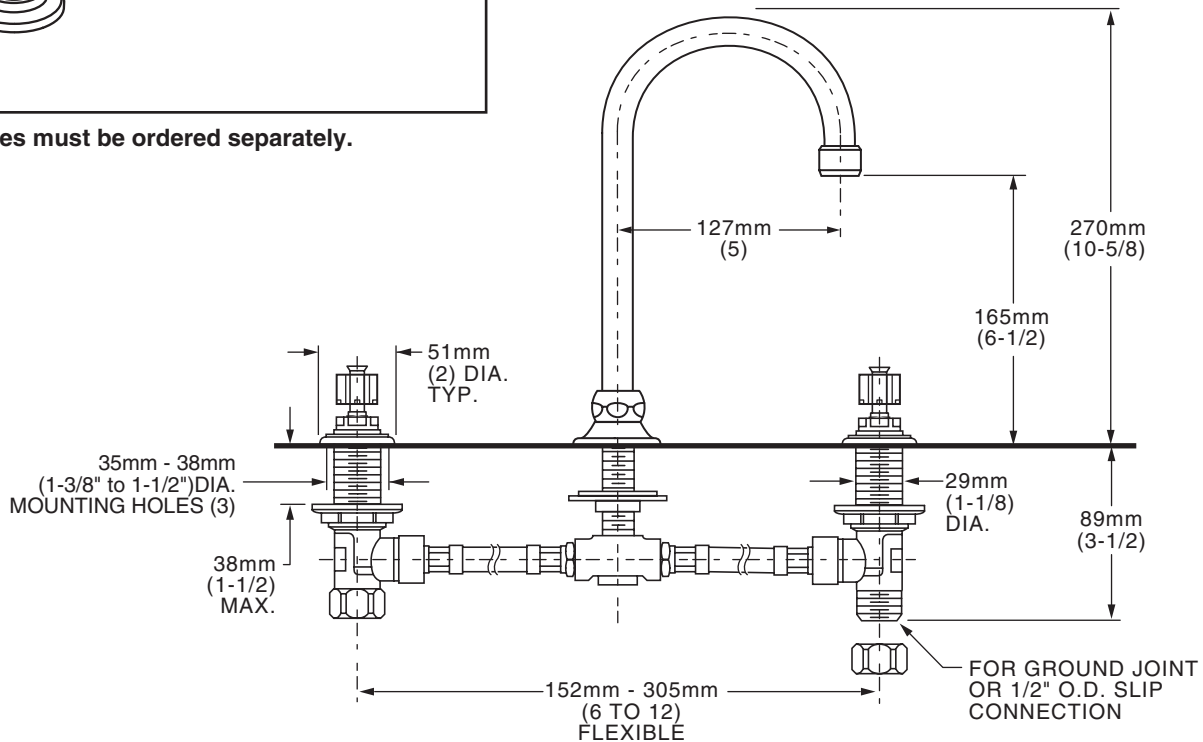


Handles must be ordered separately.

### MODEL NUMBER:

- 7890.000 Bar/Pantry Sink Faucet  
Less handles.

Handles must be ordered separately.



### GENERAL DESCRIPTION:

Cast brass valve bodies with reinforced flexible hose connections for 6" to 12" (152mm to 305mm) installations. Amaris 1/4 turn washerless ceramic disc valve cartridges - reversible for use with either lever or round handles. One-half inch male inlet shanks with brass coupling nuts and shank nuts. Brass gooseneck swivel spout. 2.2gpm/8.3L/min. maximum flow rate.

### PRODUCT FEATURES:

**Ceramic Disc Valve Cartridges:** Assures a lifetime of drip-free performance.

**Brass Construction:** Durable - Excellent in high use applications. Ideal for prolonged contact with water.

**Low Lead:** Meets NSF Standard 61/Section 9 & Prop 65 lead requirements.

**Wide Selection of Handle Styles:** Full range of interchangeable handle styles.

### SUGGESTED SPECIFICATION:

Two handle bar sink/pantry faucet shall feature cast brass valve bodies with reinforced flexible hose connections for 6" to 12" installations. All brass shank nuts and coupling nuts. Shall also feature 1/4 turn washerless ceramic disc valve cartridges that are reversible for use with round or lever handles. Faucet shall be American Standard Model # 7890.000.\_\_\_\_ and handle kit # 0000.\_\_\_\_.



# HERITAGE/AMARILIS

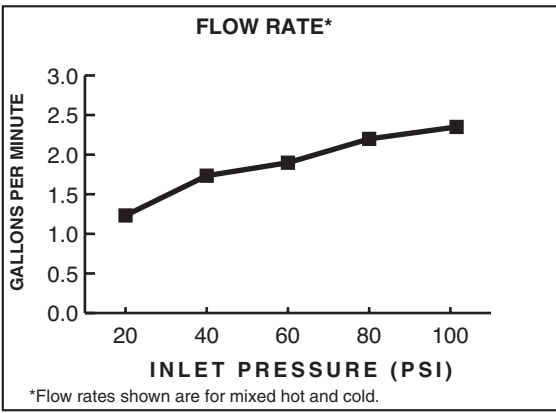
## TWO-HANDLE PANTRY/BAR SINK FAUCET

WITH BRASS GOOSENECK SPOUT

### CODES AND STANDARDS

These products meet or exceed the following codes and standards:

- ASME A112.18.1
- CSA B 125
- NSF 61/Section 9



Product Number	Description	Finish Options	
		Polished Chrome	PVD Polished Brass
		002	099
7890.000	Bar/Pantry Sink faucet. Less handles.		

**Handles must be ordered separately.**

To order **Less Handles** - Specify: 4 digit style number followed by three zeros and 3 digit finish number.  
 Example 7890.000.099 = Bar Sink faucet in Polished Brass finish.

The above fittings will accept the following Amaris-Series handles.

452	442	462	432	552	542	572	372H 372V	352H 352V	342H 342V	102H 102V	112H	902 912	862

Meets the American Disabilities Act Guidelines and **ANSI A117.1** Requirements for the physically challenged.