



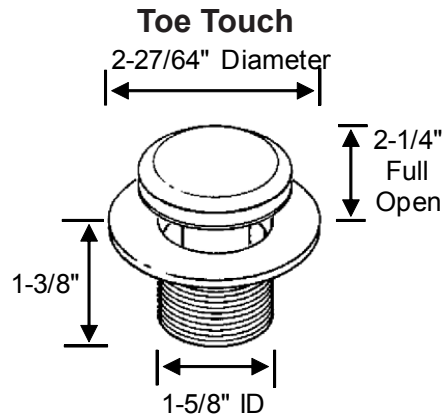
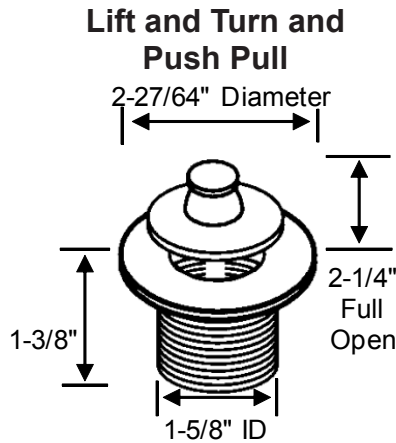
BATH WASTE ASSEMBLIES SPECIFICATION SHEET

SPECIFICATION

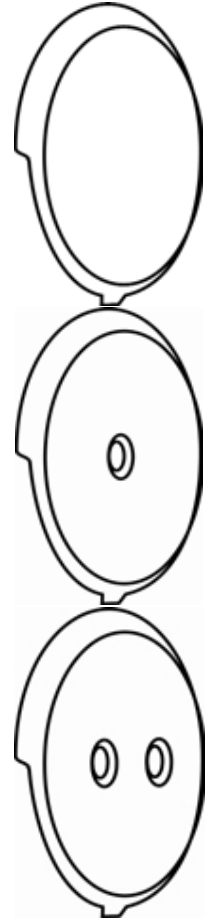
Furnish and install bath waste and overflow assembly as manufactured by LSP Products Group. Available for ABS or PVC Schedule 40.

DESIGN FEATURES

- Overflow elbow has a slight angle to accommodate tub angle
- Available with no hole (Revolver), one hole, and two hole cover plate
- Assemblies come with chrome plated drains and overflow plates
- Available in Lift and Turn, Push Pull, or Toe touch drains.
- Available with our without testing feature
- Full kits include pipe and tee, half kits do not have the pipe and tee included



3-1/4" Diameter



Full Kit
With Test



Half Kit
No Test



LSP
PRODUCTS GROUP

3689 Arrowhead Drive, Carson City, NV 89706

Phone (800) 854-3215 Fax (800) 243-1777

E-mail sales@lspproducts.com Website www.lspproducts.com

Content matter is subject to change at any time. It is the user's responsibility to ensure the most updated revisions are obtained.
RF/BA (04-11) Rev 1



COMPLIANCES/LISINGS

- IAPMO File #1232
- Meets or exceeds ASME A112.18.1



**BATH WASTE ASSEMBLIES
SPECIFICATION SHEET**

BATHWASTE ASSEMBLIES WITH TEST						
HALF KITS - include overflow elbow, cp overflow plate, drain elbow, cpstrainer, and cp stopper (no piping or tee)	LIFT & TURN		PUSH-PULL		TOE-TOUCH	
	PVC	ABS	PVC	ABS	PVC	ABS
Revolver, snap-on overflow plate(no hole)	R-6011-LT	R-6010-LT	R-6011-P	R-6010-P	R-6011-T	R-6010-T
1 hole overflow plate	R-0476	R-0475	R-0476-P	R-0475-P	R-0476-T	R-0475-T
2 hole overflow plate	R-0468	R-0467	R-0468-P	R-0467	R-0468-T	
2 hole overflow plate w/condensate	R-0542		R-0542-P		R-0542-T	R-0467-T
FULL KITS - include overflow elbow, cp overflow plate, drain elbow cp strainer, cp stopper, piping and tee	LIFT & TURN		PUSH-PULL		TOE-TOUCH	
	PVC	ABS	PVC	ABS	PVC	ABS
Revolver, snap-on overflow plate(no hole)	R-6111-LT	R-6110-LT	R-6111-P	R-6110-P	R-6111-T	R-6110-T
1 hole overflow plate	R-0376	R-0364	R-0376-P	R-0364-P	R-0376-T	R-0364-T
2 hole overflow plate	R-0466	R-0465	R-0466-P	R-0465-P	R-0466-T	R-0465-T

BATHWASTE ASSEMBLIES NON-TESTING						
HALF KITS - include overflow elbow, cp overflow plate, drain elbow, cpstrainer, and cp stopper (no piping or tee)	LIFT & TURN		PUSH-PULL		TOE-TOUCH	
	PVC	ABS	PVC	ABS	PVC	ABS
Revolver, snap-on overflow plate(no hole)	R-6011-NT-LT	R-6010-NT-LT	R-6011-NT-P	R-6010-NT-P	R-6011-NT-T	R-6010-NT-T
1 hole overflow plate	R-0469	R-0457	R-0469-P	R-0457-P	R-0469-T	R-0457-T
2 hole overflow plate	R-0493	R-0481	R-0493-P	R-0481-P	R-0493-T	R-0481-T
2 hole overflow plate w/condensate	R-0541		R-0541-P		R-0451-T	
FULL KITS - include overflow elbow, cp overflow plate, drain elbow cp strainer, cp stopper, piping and tee	LIFT & TURN		PUSH-PULL		TOE-TOUCH	
	PVC	ABS	PVC	ABS	PVC	ABS
Revolver, snap-on overflow plate(no hole)	R-6111-NT-LT	R-6110-NT-LT	R-6111-NT-P	R-6110-NT-P	R-6111-NT-T	R-6110-NT-T
1 hole overflow plate	R-0373	R-0361	R-0373-P	R-0361-P	R-0373-T	R-0361-T
2 hole overflow plate	R-0397	R-0396	R-0397-P	R-0396-P	R-0397-T	R-0396-T



3689 Arrowhead Drive, Carson City, NV 89706

Phone (800) 854-3215 Fax (800) 243-1777

E-mail sales@lspproducts.com Website www.lspproducts.com

Content matter is subject to change at any time. It is the user's responsibility to ensure the most updated revisions are obtained.
RF/BA (04-11) Rev 1

Product Submittal	
Job Name:	
Date:	
Part Number	Quantity
Architect:	
Contractor:	