



# All Pro® 60" Bath/Shower 61040110



## Features

- Durable swirl gloss finish.
- Modular design allows it to be moved around corners and through doorways with ease.
- Convenient shelving and acrylic towel bar on back wall.
- 15" (381 mm) bath depth (floor to top of threshold).
- 60" (1524 mm) x 30" (762 mm) x 72-3/4" (1848 mm) complete unit finished dimensions.

## Material

- Compression molded from our exclusive solid Vikrell® material.

## Installation

- Tongue-and-groove four-piece modular design allows for easy snap together installation.
- Caulk required in seams for proper installation.

## Components

Product includes:

61044100 60" Bath/Shower Wall Set

61041110 60" Bath



## Codes/Standards

CSA B45.5/IAPMO Z124

ASTM E162

ASTM E662

Greenguard UL 2818 - Gold



## STERLING® Warranty - Fixtures Made of Solid Vikrell Material

See website for detailed warranty information.

## Available Color/Finishes

*Color tiles intended for reference only.*

Color	Code	Description
-------	------	-------------

- |  |    |         |
|--|----|---------|
|  | 0  | White   |
|  | 96 | Biscuit |

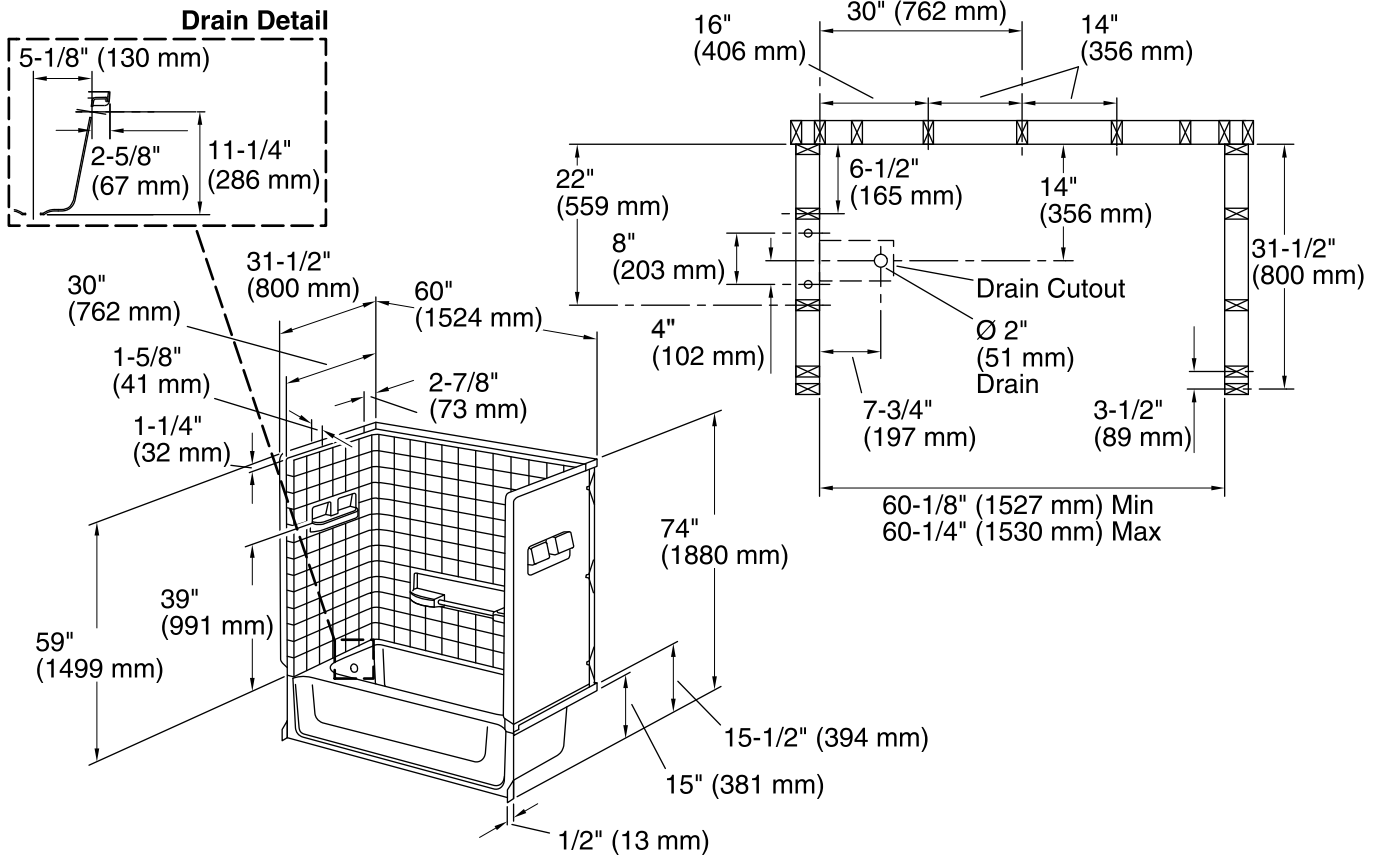
# STERLING®

A KOHLER COMPANY

## All Pro®

### 60" Bath/Shower

### 61040110



### Technical Information

All product dimensions are nominal.

- Installation: 3-Wall Alcove
- Drain location: Left
- Water depth: 9-3/8" (238 mm)
- Water capacity: 44 gal (166.6 L)
- Door height required: 57-3/4" (1467 mm)
- Door width required: 57-1/2" (1461 mm)

### Notes

- Measure your actual product for roughing-in details.
- Install this product according to the installation guide.
- Double studding is recommended for pivot shower door installations.
- Studs should be positioned roughly as shown.