

# TOTO®

# MS654114MF

## Aquia® One-Piece Toilet, 1.6GPF & 0.9GPF

### FEATURES

- Dual-Max® flushing system, high efficiency (1.6GPF/6.0LPF & 0.9GPF/3.4LPF)
- Elongated skirt
- Universal Height
- One-piece elongated toilet with SS114 seat
- Dual flush option
- Chrome push-button
- 12" rough-in

### MODELS

- MS654114MF - Elongated One-Piece Toilet with SS114 SoftClose® seat

### COLORS/FINISHES

- Standard
  - #01 Cotton
  - #03 Bone
  - #11 Colonial White
  - #12 Sedona Beige
  - #51 Ebony

### PRODUCT SPECIFICATION

The one-piece, universal height, high efficiency dual-max flushing system toilet shall be 1.6GPF/0.9GPF. Toilet shall have high-profile tank, elongated front bowl and chrome push-button. Toilet shall be TOTO Model MS654114MF\_\_\_\_\_.



**D+** Dual-Max

### CODES/STANDARDS

- Meets and exceeds ASME A112.19.2/CSA B45.1, ASME A112.19.14
- Certifications: IAPMO(cUPC®), EPA WaterSense, State of Massachusetts, and others
- Code compliance: UPC, IPC, NSPC, NPC Canada, and others
- Legislative compliance: California Green Building Code, City of Los Angeles Water Efficiency Ordinance, and others



# MS654114MF

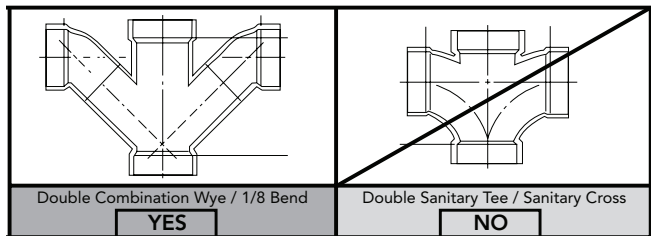
## Aquia® One-Piece High-Efficiency Toilet, 1.6GPF & 0.9 GPF

### SPECIFICATIONS

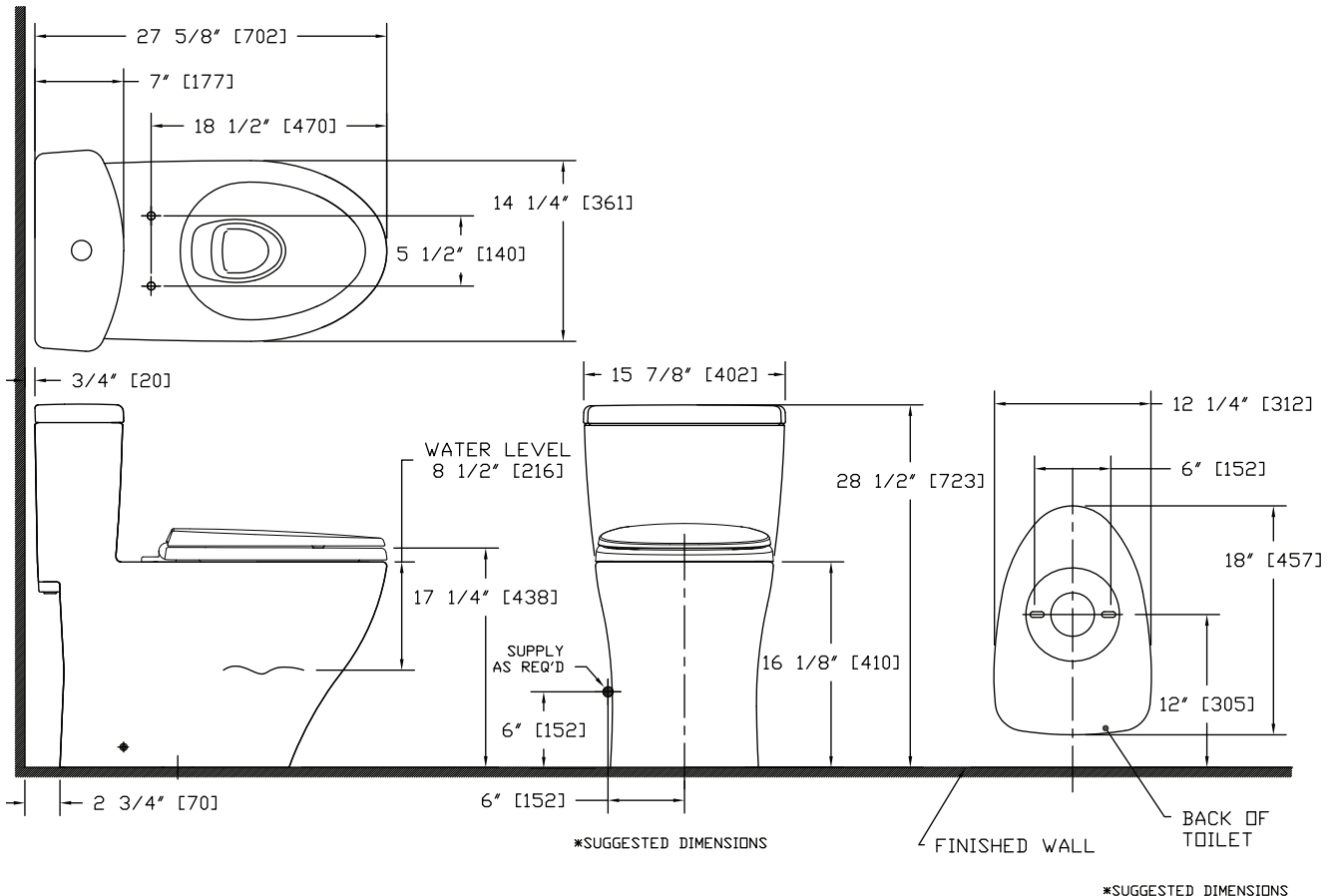
- Water Use 1.6 GPF & 0.9GPF (6.0 LPF & 3.4LPF)
- Flush System Dual-Max
- Min. Water Pressure 8 psi (flowing)
- Water Surface 5-1/4" x 4-1/4"
- Trap Diameter 1-3/4"
- Rough-in 12"
- Trap Seal 2-1/4"
- Warranty One Year Limited Warranty
- Material Vitreous china
- Shipping Weight MS654114MF - 112lbs
- Shipping Dimensions MS654114MF 32" L x 19-7/8" W x 29-1/4" H

### INSTALLATION NOTES

Back-to-Back Toilet Installations:  
 TOTO recommends the use of a nationally listed, double sanitary tee-wye only, in vertical waste stacks, in accordance with the stipulations noted in the majority of nationally recognized plumbing codes.



To maintain adequate wall gap between the back of the tank and wall, mount the floor flange at a nominal 12" rough-in distance.



**TOTO**®

*These dimensions and specifications are subject to change without notice*