

## Connelly™ Widespread Lavatory Faucet

### FEATURES

- WaterSense certified low-flow 1.5 gpm (5.7 lpm) faucet
- Lever handles
- Brass construction
- Ceramic disk valve cartridge
- Accommodates 6"-12" spread
- Metal pop-up drain assembly included



### COLORS/FINISHES

- #CP Polished Chrome
- #BN Brushed Nickel
- #PN Polished Nickel

### CODES/STANDARDS

- Complies with federal and state statutes as lead-free
- Meets or exceeds ASME A112.18.1/CSA B125.1, NSF 61-9
- Certifications: IAPMO(cUPC), EPA WaterSense, State of Massachusetts and others
- Code Compliance: UPC, IPC, NSPC, NPC Canada, and others
- Legislative compliance: California AB1953, Vermont S.152 & Maryland HB. 372, California Green Building Code, City of Los Angeles Water Efficiency Ordinance
- Contains a weighted average of 0.25% lead or less
- ADA compliant



### PRODUCT SPECIFICATION

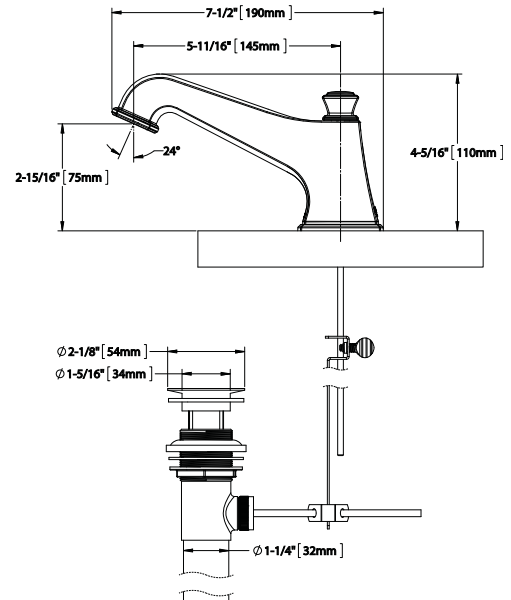
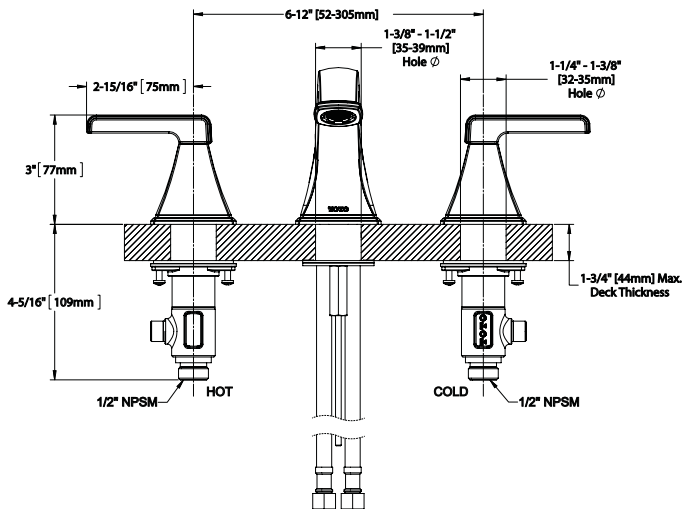
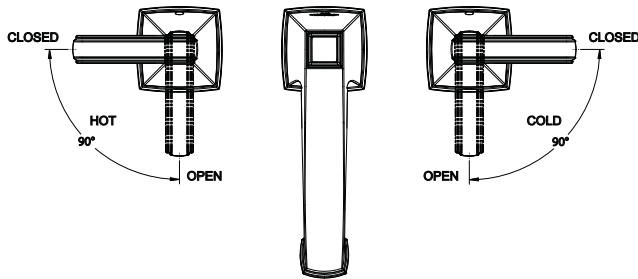
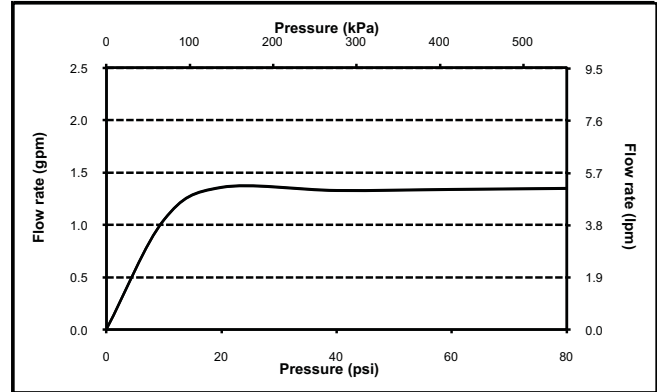
The widespread lavatory faucet shall have a maximum flow rate of 1.5 gpm (5.7 lpm). Product shall have lever handles. Product shall have a pivoting aerator. Product shall have a brass construction. Product shall have a ceramic disk valve cartridge. Product shall accommodate 6"-12" spread. Product shall include metal pop-up drain assembly. Product shall be **TOTO Model TL221DD#\_\_\_\_\_**.

# TL221DD

## Connelly™ Widespread Lavatory Faucet

### SPECIFICATIONS

- Warranty** Lifetime Limited Warranty (Residential Use)  
One Year (Commercial Use)
- Material** Brass
- Shipping Dimensions** 13-1/2" L x 7-1/2" W x 4-3/4" H
- Shipping Weight** 8.4 lbs.
- Maximum Flow Rate** 1.5 gpm (5.7 lpm)



**TOTO®**

These dimensions and specifications are subject to change without notice