

American Standard

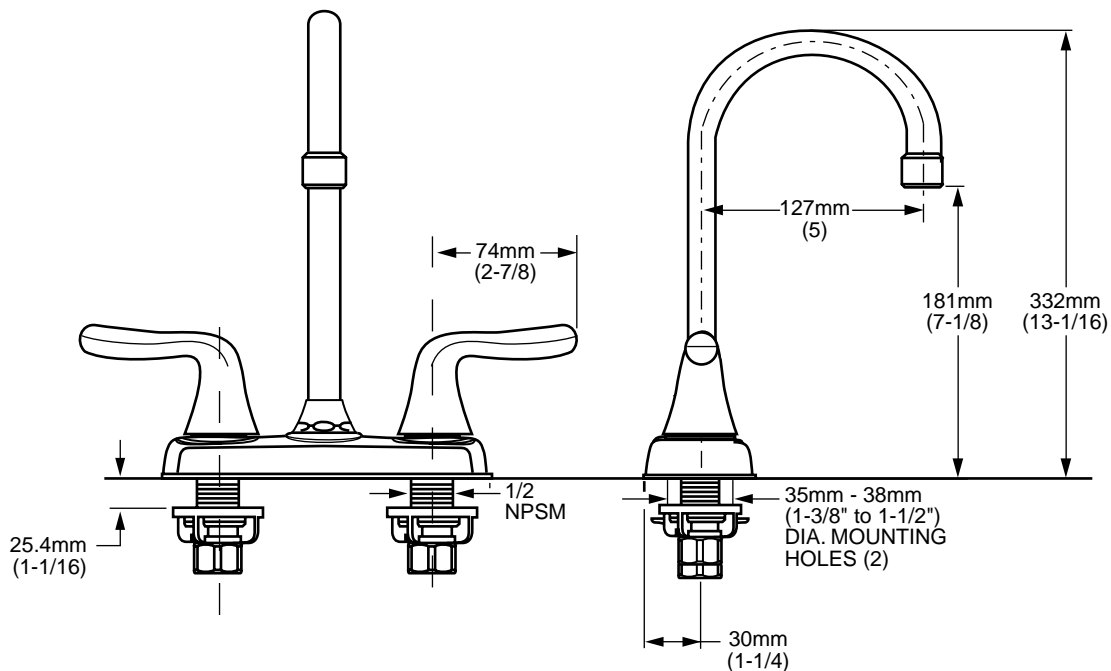
COLONY SOFT

TWO-HANDLE CENTERSET
BAR SINK FAUCET
WITH BRASS GOOSENECK SPOUT



MODEL NUMBER:

- ❑ **2475.500** Centerset Bar Sink Faucet
Metal Lever handles.



GENERAL DESCRIPTION:

Durable brass construction. 1/4 turn washerless ceramic disc valve cartridges. One-half inch male inlet shanks with brass coupling nuts. Brass gooseneck swing spout. 2.2gpm/8.3L/min. maximum flow rate.

PRODUCT FEATURES:

Solid Brass Construction: Durable. Ideal for prolonged contact with water.

Ceramic Disc Valve Cartridges: Assures a lifetime of drip-free performance.

Low Lead: Meets NSF Standard 61/Section 9 & Prop 65 lead requirements.

Choice of Finishes: Available in Polished Chrome or PVD Polished Brass.

SUGGESTED SPECIFICATION:

Centerset bar sink faucet shall be cast brass construction with all brass coupling nuts. Shall also feature 1/4 turn washerless ceramic disc valve cartridges. Fitting shall be American Standard Model # 2475.500._____.



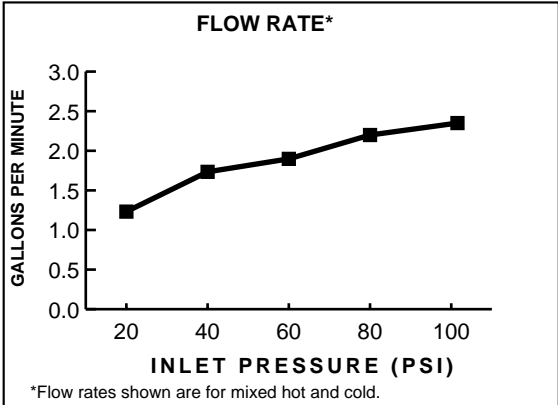
COLONY SOFT

**TWO-HANDLE CENTERSET
BAR SINK FAUCET
WITH BRASS GOOSENECK SPOUT**

CODES AND STANDARDS

These products meet or exceed the following codes and standards:

- ANSI A117.1**
- ASME A112.18.1**
- CSA B 125**
- NSF 61/Section 9**



| Product Number | Description | Finish Options | |
|----------------|---------------------------------------|-----------------|--------------------|
| | | Polished Chrome | PVD Polished Brass |
| 2475.500 | Bar Sink faucet. Metal lever handles. | 002 | 099 |

Meets the American Disabilities Act Guidelines and **ANSI A117.1** Requirements for the physically challenged.