

G



JAY R. SMITH MFG. CO.®
 MEMBER OF ACORN ENGINEERING'S FAMILY OF COMPANIES
 POST OFFICE BOX 3237
 MONTGOMERY, ALABAMA 36109-0237 (USA)
 TEL: 334-277-8520 FAX: 334-272-7396 www.jrsmith.com



MEMBER OF:

LOCATION

ROOF ACCESSORY

DOWNSPOUT NOZZLE

FUNCTION: Used as a parapet overflow or at the base of a wall where a concealed leader discharges rainwater to ground. Nozzle design diverts water away from building, eliminating wall stains. Wall flange covers rough opening and serves as anchor.

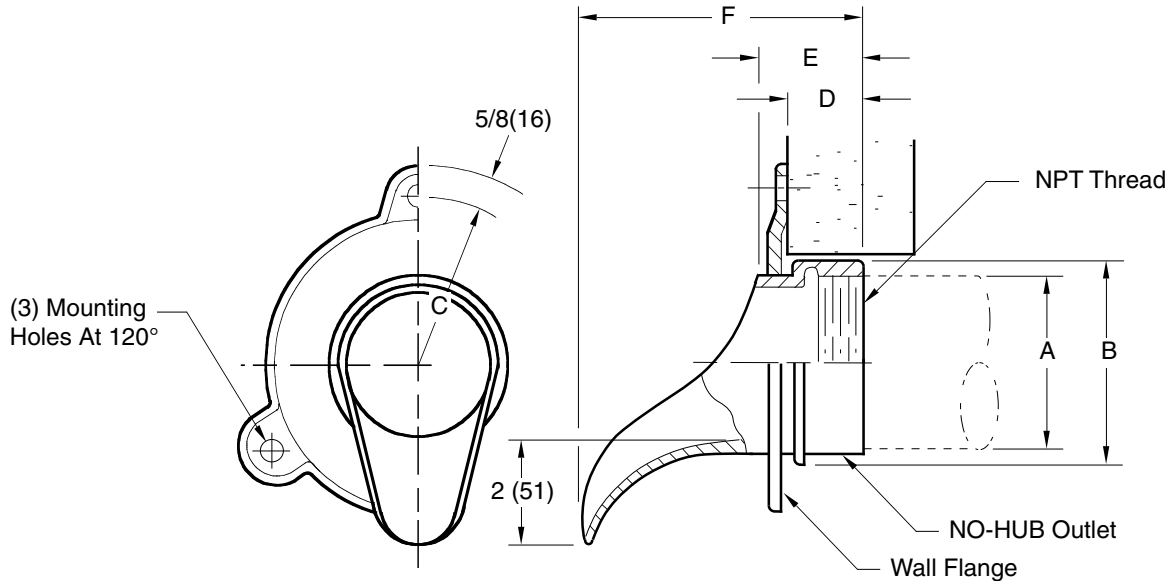


Fig. 1770T.....Threaded Outlet
 Fig. 1770Y.....NO-HUB Outlet (02(50), 03(75), 04(100) and 06(150))

	*				*				*	
A=PIPE	02(50)	03(75)	04(100)	05(125)	06T(150)	06Y(150)	08(200)	10(255)	12(305)	
B=DIA	2 3/4 (70)	4 (100)	5 (125)	6 (150)	7 1/4 (185)	7 1/4 (185)	9 1/4 (235)	11 1/8 (283)	13 1/4 (335)	
C=RAD	2 3/4 (70)	3 1/2 (89)	3 7/8 (98)	4 3/8 (111)	5 (125)	5 (125)	5 7/8 (149)	7 1/4 (185)	8 (205)	
D	1 3/8 (35)	1 3/8 (35)	1 3/8 (35)	1 3/8 (35)	1 3/8 (35)	1 13/16 (46)	1 5/8 (41)	1 3/4 (44)	2 (51)	
E	2 1/16 (52)	2 1/16 (52)	2 1/16 (52)	2 1/16 (52)	2 1/16 (52)	2 1/2 (64)	2 3/8 (60)	2 3/4 (70)	2 15/16 (75)	
F	5 5/8 (143)	5 5/8 (143)	5 5/8 (143)	5 5/8 (143)	5 5/8 (143)	6 1/4 (160)	5 15/16 (149)	5 3/8 (138)	7 9/16 (192)	

REGULARLY FURNISHED:
 Cast Bronze Nozzle and Flange.

VARIATIONS:

Bird Screen -BS
 * NO-HUB Adaptor (specify Fig. 2646Y)
 (5"(125), 8"(200), 10"(255)
 and 12"(305) only)

OPTIONAL MATERIALS:

Nickel Bronze -NB
 Polished Bronze -PB

NOTE: Dimensions shown in parentheses are in millimeters.

DRAWING NUMBER
S1770SIZE
ASCALE:
NONEDATE:
2-25-85APPROVED BY:
JDCHECKED BY:
JDDRAWN BY:
CR

1770

FIGURE NUMBER

WE CAN ASSUME NO RESPONSIBILITY FOR USE OF SUPERSEDED OR VOID DATA
DIMENSIONS ARE SUBJECT TO MANUFACTURERS TOLERANCE AND CHANGE WITHOUT NOTICE

G	01/14/11	Added NO HUB Outlet	JJ	TK
F	6-16-05	Revised Table	RN	CL
E	04/05/04	Added Bird Screen Variation	JJ	CL
D	6-16-99	Revised Millimeters	CMD	BS
REV.	DATE	DESCRIPTION	BY	CKD. BY

WEIGHT
POUNDSVOLUME
CUBIC FEET

FIGURE NUMBER

1770