

L



JAY R. SMITH MFG. CO.
 MEMBER OF MORRIS GROUP INTERNATIONAL™
 POST OFFICE BOX 3237
 MONTGOMERY, ALABAMA 36109-0237 (USA)
 TEL: 334-277-8520 FAX: 334-272-7396 www.jrsmith.com



LOCATION

DRAWING NUMBER
S3140

SIZE
A

SCALE:
NONE

DATE:
9-19-85

APPROVED BY:
SJM

CHECKED BY:
JD

DRAWN BY:
PJ

3140-3161 Series

WE CAN ASSUME NO RESPONSIBILITY FOR USE OF SUPERSEDED OR VOID DATA

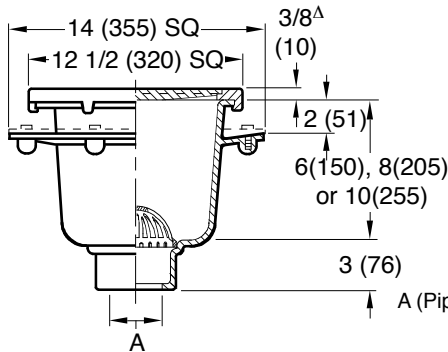
DIMENSIONS ARE SUBJECT TO MANUFACTURERS TOLERANCE AND CHANGE WITHOUT NOTICE

SANI-CEPTOR® ACID RESISTANT COATED FLOOR & INDIRECT WASTE DRAINS

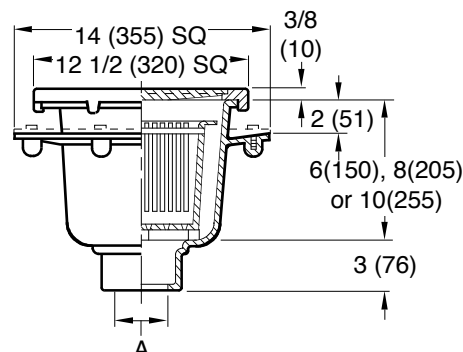
SQUARE NICKEL BRONZE TOP

12 1/2" (320) TOP - MEDIUM, DEEP & EXTRA DEEP RECEPTORS

FUNCTION: Used in kitchens, hospitals, food markets, restaurants, schools and all types of food handling areas where the ultimate in sanitation is desirable and a medium capacity receptor is required.



Free Area
42 SQ IN
(271) SQ CM



WITH DOME BOTTOM STRAINER

6"(150) deep 8"(205) deep 10"(255) deep
 Fig. ... 3140C ... 3150C ... 3160C ... CAULK OUTLET ...
 Fig. ... 3140Y ... 3150Y ... 3160Y ... NO-HUB OUTLET ...

WITH SEDIMENT BUCKET

6"(150) deep 8"(205) deep 10"(255) deep
 Fig. ... 3141C ... 3151C ... 3161C
 Fig. ... 3141Y ... 3151Y ... 3161Y

FEATURES, OPTIONS & ORDERING INFORMATION

REGULARLY FURNISHED: Cast Iron Flanged Receptor with Seepage Holes, Acid Resistant Coated Interior, Nickel Bronze Rim and Secured Grate. Aluminum Dome Bottom Strainer or White ABS Sediment Bucket as Indicated by Figure Number.

OPTIONAL MATERIALS:

- All Duco Cast Iron Receptor -CI
- All Galvanized Receptor -G

NOTE: Dimensions shown in parentheses are in millimeters.

VARIATIONS:

- Aluminum Flat Bottom Strainer -FBS
- Flashing Clamp -C
- Less Flange (Fig. 3155, 3156 only)
- Polished Aluminum Dome Bottom Strainer -PDBS
- Vandal Proof Screws -U
- L Speedi-Set Service Weight
02(50), 03(75) & 04"(100) sizes only
- LXH Speedi-Set Extra Heavy
02(50), 03(75) & 04"(100) sizes only

SUFFIX NUMBER SQUARE RIM

SUFFIX NUMBER	DESCRIPTION
-10	Less NB Rim and Grate
-11	Less Grate w/NB Rim
-12	With NB Rim and 1/2 Grate
-13	With NB Rim and 3/4 Grate
-14	With NB Rim and Grate with 2 1/2"(64) SQ Center Hole
-15	With NB Rim and Aluminum Recessed Grate
-19	With NB Rim and Hinged Grate
-21	With NB Rim and Grate with 4"(100) DIA NB Funnel
-22	With NB Rim and Grate with 6"(150) DIA NB Funnel
-25	With NB Rim and Grate with 8 1/4(210) x 3 1/4(83) x 4 1/2"(115) High Oval NB Funnel
-26	With NB Rim and Grate with 6(150) x 2 1/2(64) x 1"(25) High Oval NB Funnel
-41	With NB Rim and Solid Cover
-42	With NB Rim and 1/2 Solid Cover
-43	With NB Rim and 3/4 Solid Cover
-44	With NB Rim and Solid Cover with 2 1/2"(64) DIA Center Hole
-69	With NB Rim and XH Stainless Steel Secured Grate [^Δ 3/8"(10) dimension becomes 1"(25)]

L K J H	8-4-14 6-10-14 10-31-12 01/20/11	Revised Variations Revised Reg. Furn., Var. Revised Variations Updated Logo	TBW TBW TBW JJ	CL TWK BW TW	WEIGHT POUNDS	VOLUME CUBIC FEET	FIGURE NUMBER 3140-3161 Series
REV.	DATE	DESCRIPTION	BY	CKD. BY			