



model 6433
Strainer

FEATURES & BENEFITS

OPTIONS

To see all options for this model, visit www.hawSCO.com



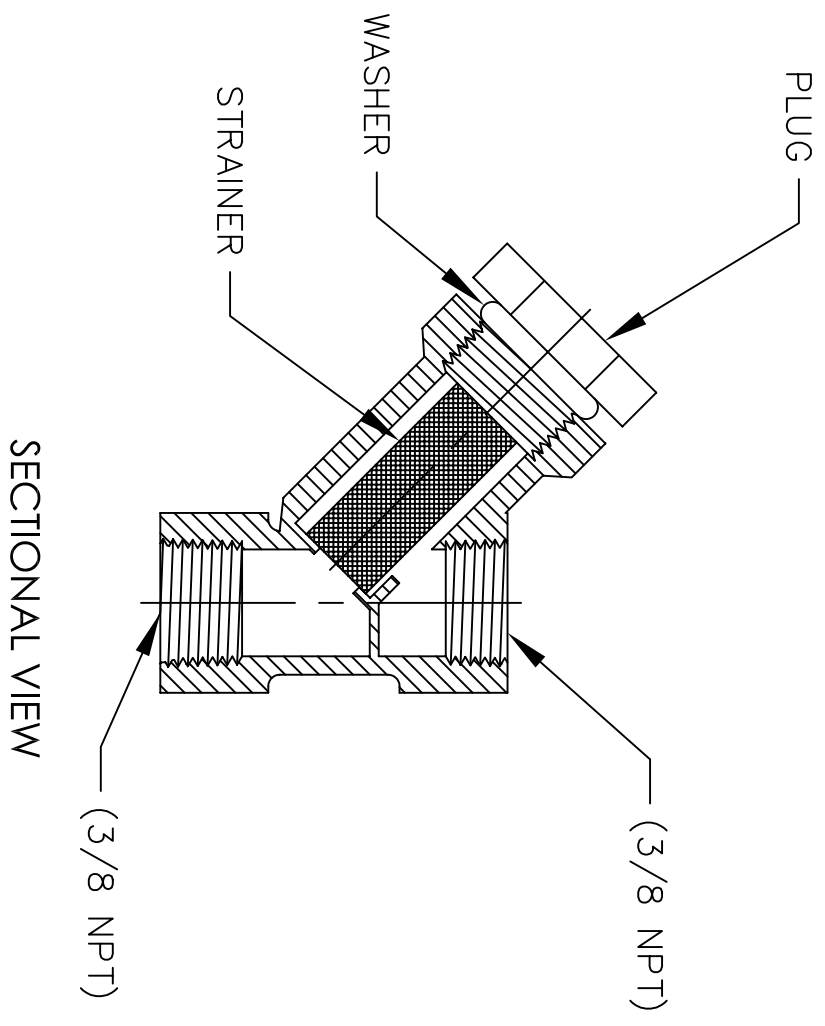
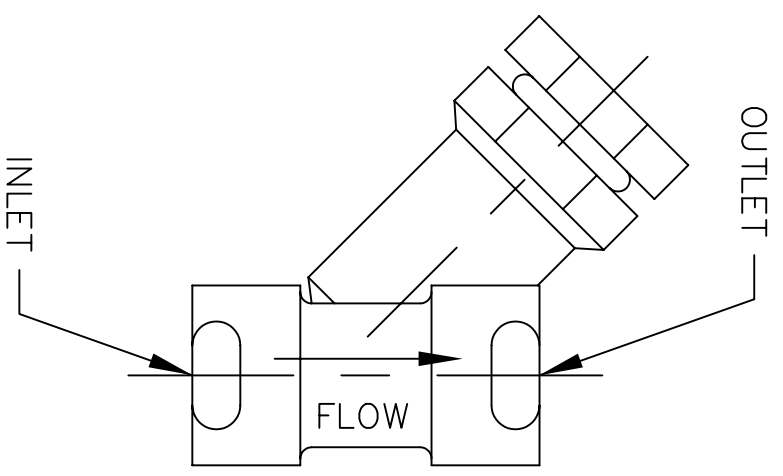
SPECIFICATIONS

Model 6433 is a lead-free, celcon Y pattern water strainer with removable 100 mesh screen for easy cleaning. 3/8" NPT(F) inlet and outlet. 1-7/8" (4.8 cm) long with strainer arm extending to 2-15/16" (5.6 cm) overall width.

APPLICATIONS



- NOTES:
1. REMOVE PLUG TO ACCESS SCREEN



		INFO FAX : 1-888-FAX-HAWS (1-888-329-4297) 1455 Kleppe Ln, Sparks NY, 89431 Phone: 775-359-4712 Fax: 775-359-7424 Haws USA, P.O. Box 172, Sparks, NV 89431 Haws Europe, P.O. Box 172, Sionglé, Luxembourg L-1011 e-mail: Haws@hawsco.com website: www.hawsco.com	
DATE: 11/29/04 DRAWN: JSS/ML CHECKED: 5/18/05 MODEL: 6433	TITLE: Y STRAINER MODEL: 6433 INFO FAX DOC # 26433	PART NUMBER: 11962C00 QUANTITY: 1 REV: 2	DATE: 11/29/04 DRAWN: JSS/ML CHECKED: 5/18/05 MODEL: 6433