

## FEATURES & BENEFITS

### CONSTRUCTION

Constructed of heavy gauge galvanized steel, its compact style can be concealed under a counter, and between or within walls.

### CHILLED WATER

Efficient compact design provides 8 gallons (30.3 L) per hour of 50° F (10° C) cold water to a wide variety of fountains.

## OPTIONS

- Shelf: Model H7149MS, mounting shelf for remote chillers.

To see all options for this model, visit [www.hawsco.com](http://www.hawsco.com)



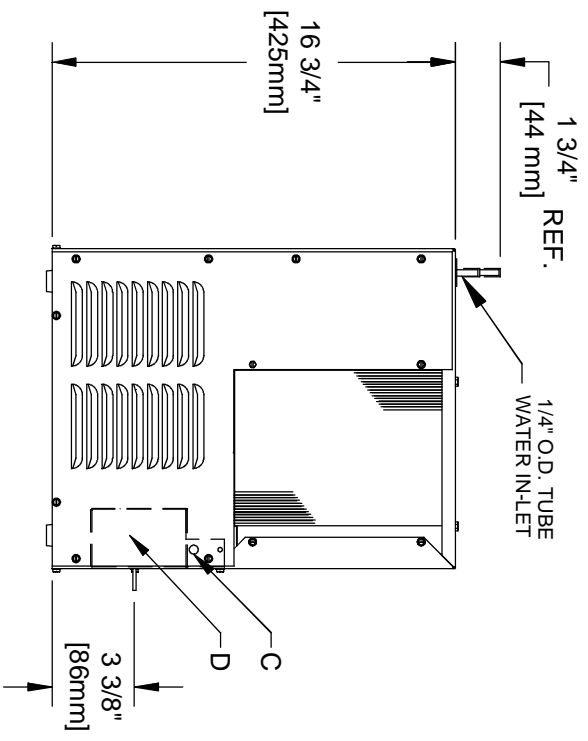
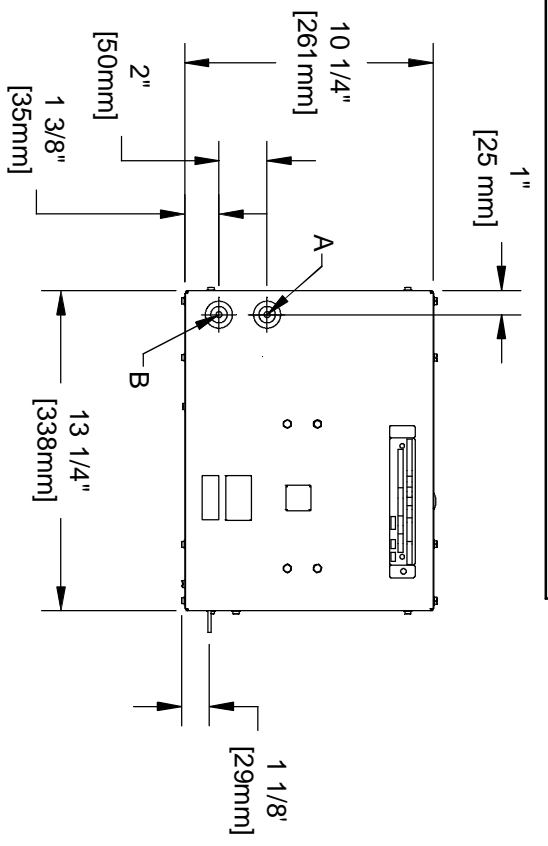
## SPECIFICATIONS

Model HCR8 remote chiller is a hermetically sealed R-134a refrigeration system and is capable of supplying water to a maximum of 2 bubbler stations and is designed to provide 8 gph (30.3 L) of water at 50° F (10° C) cooled from 80° F (26.7° C) inlet water at 90° F (32.2° C) ambient. The unit is rated at 115V, 60Hz, and 5 amps.

## APPLICATIONS

This remote chiller can provide 8 gallons per hour of 50° F cold water to a wide variety of fountains. Specifically, this type chiller may be used in conjunction with a fountain in settings such as: schools, office buildings, shopping malls, and other indoor environments where there is a demand for a chilled water source. Electric water coolers are not recommended or designed for outdoor applications or enclosed pool areas (chlorine). These conditions may void warranty. Haws electric water chiller is certified to NSF/ANSI Standard 61, Section 9, comply with ARI Standard 1010 and ANSI A117.1, and is listed by Underwriter Laboratories to U.S. and Canadian standards.



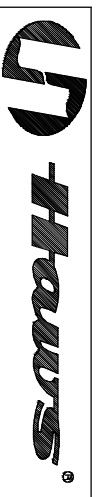
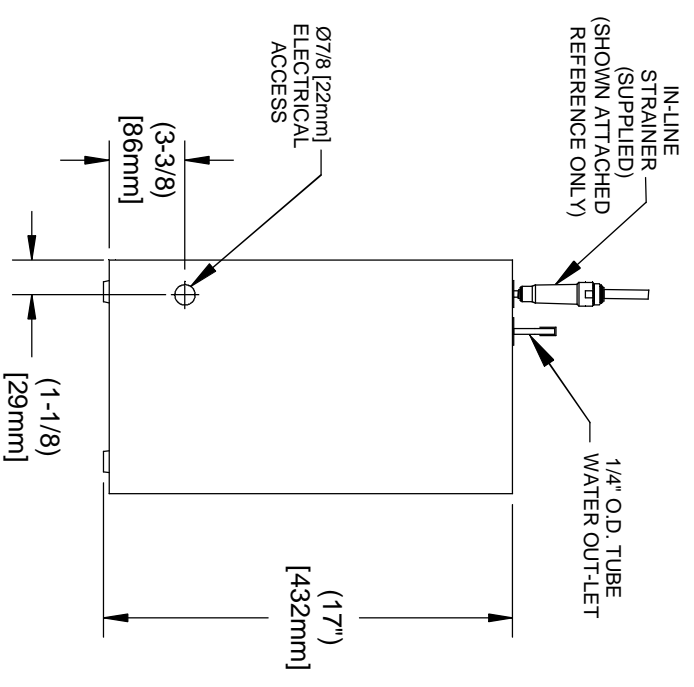


**LEGEND**

- A = 1/4" O.D. TUBE WATER OUTLET
- B = 1/4" O.D. TUBE WATER INLET
- C = TEMPERATURE ADJUSTMENT
- D = ELECTRICAL

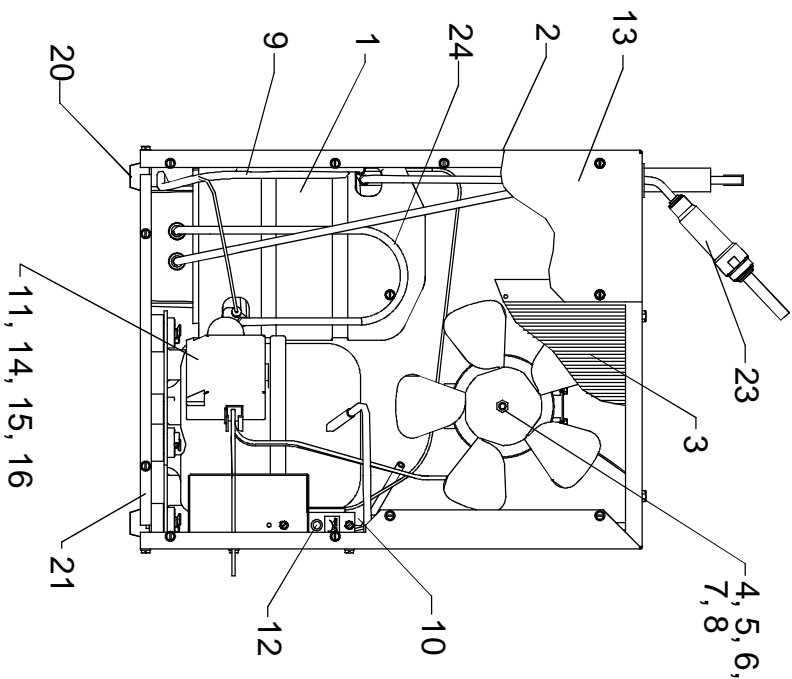
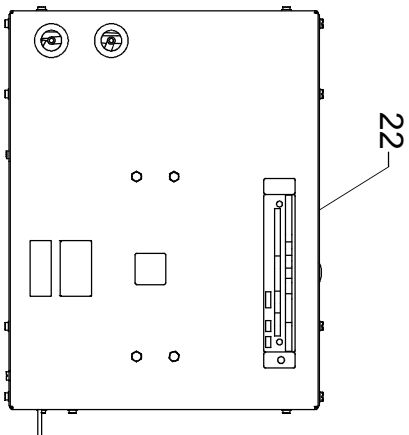
**NOTES:**

1. ALLOW 4 INCHES (102mm) PER SIDE FOR VENTILATION.
2. IT IS RECOMMENDED THAT ALL WATER OUTLETS BE NOT MORE THAN 7 FEET FROM THE CHILLER AND ALL COLD WATER PIPING BE COVERED WITH SPONGE RUBBER OR ICE WATER TYPE INSULATION OF ADEQUATE THICKNESS.
3. MAKE SURE POWER SUPPLY IS IDENTICAL IN VOLTAGE, CYCLE, AND PHASE TO THAT SPECIFIED ON THE COOLER SERIAL PLATE. NEVER WIRE COMPRESSOR DIRECTLY TO POWER SUPPLY.
4. A CLASS A GROUND-FAULT CIRCUIT INTERRUPTER (GFCI) SHALL BE INSTALLED IN THE BRANCH-CIRCUIT SUPPLYING POWER TO THIS UNIT.
5. MODEL NUMBERS AS LISTED ON UNITS:  
 FOR HCR8: HCR8\*1J (115V, 60HZ, 5 AMPS)  
 FOR HCR8.50: HCR8\* 2J (220V, 50HZ, 2 AMPS)



1455 KLEPPE LANE  
 SPARKS, NEVADA 89431  
 (775) 359-4712 FAX (775) 359-7424  
 E-MAIL: HAWS@HAWSCO.COM  
 WEBSITE: WWW.HAWSCO.COM

EGN. NO. REUSED PER BY:	MODEL(S)	HCR8(115)/HCR8.50(220V)	PART NUMBER	0002075001.D
DRAWN: H. MERRITT	DATE: 06/08/10	CHKD:	DRAWING NO.	15352A00
APPROVED:	DATE:	SCALE: 1:1	DRAWING TYPE: REMOTE CHILLER	REV: 6
			INSTALLATION:	SHEET 1 OF 3



**HCR8 115V/60HZ/5 AMPS ITEMIZED PARTS LIST**

ITEM	PART NO.	DESCRIPTION
1	66543C	EVAPORATOR TANK ASSY
2	28478C	CABINET
3	66743C	CONDENSER
4	31490C	MOTOR - FAN 115V
5	20282C	BRACKET - FAN MOUNTING
6	30664C	BLADE - FAN
7	70018C	NUT - FAN BLADE
8	56237C	SHROUD - FAN
9	66576C	HEAT EXCHANGER
10	66703C	DRIER
* 11	36094C	COMPRESSOR SERVICE PAK
12	31513C	COLD CONTROL
13	28477C	PANEL - FRONT
14	35768C	COVER - RELAY
15	36158C	OVERLOAD
16	35959C	RELAY
17	100806740570	GROMMET
18	101516143550	STUD - COMP. MOUNTING
19	19037000	CLIP
20	50930C	BUMPER
21	27303C	BASEPLATE
22	22300C	PANEL - REAR
23	55996C	IN-LINE STRAINER
24	66723C	EVAPORATOR TUBE

**HCR8.50 220V/50HZ/2 AMPS**

ITEM	PART NO.	DESCRIPTION
4	31430C	MOTOR - FAN 220V
9	66576C	HEAT EXCHANGER
* 11	36085C	COMPRESSOR SERVICE PAK
15	36195C	OVERLOAD
16	36050C	RELAY

**\*INCLUDES RELAY AND OVERLOAD. IF UNDER WARRANTY, REPLACE WITH SAME COMPRESSOR USED IN ORIGINAL ASSEMBLY.**

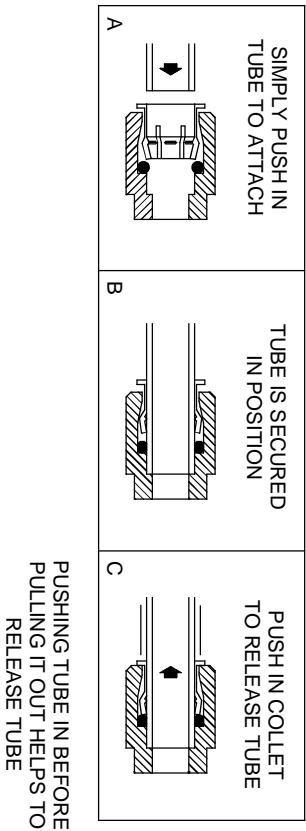
NOTE: ALL CORRESPONDENCE PERTAINING TO ANY OF THE ABOVE WATER COOLER OR ORDERS FOR REPAIR **MUST** INCLUDE MODEL NUMBER AND SERIAL NUMBER OF COOLER, NAME AND NUMBER OF REPLACEMENT PART.



1455 KLEPPE LANE  
SPARKS, NEVADA 89431  
(775) 359-4712 FAX (775) 359-7424  
E-MAIL: HAWS@HAWS.CO.COM  
WEBSITE: WWW.HAWS.CO.COM

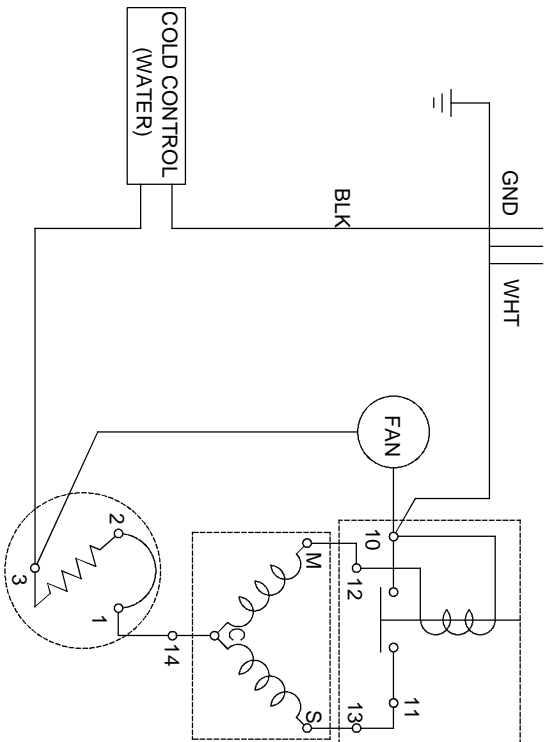
EGN/NO. REVISED PER: BY:	MODEL(S)	PART NUMBER
STATUS: EGN, 4888, HMD	HCR8 (115V)/HCR8.50 (220V)	0002075001.D
DRAWING DATE: 08/10	REMOTE CHILLER	DRAWING NO. 15352A00
APPROVED DATE:	SCALE: 1:1	REV: 6
	DRAWING TYPE: INSTALLATION	SHEET 2 OF 3

## OPERATION OF QUICK CONNECT FITTINGS

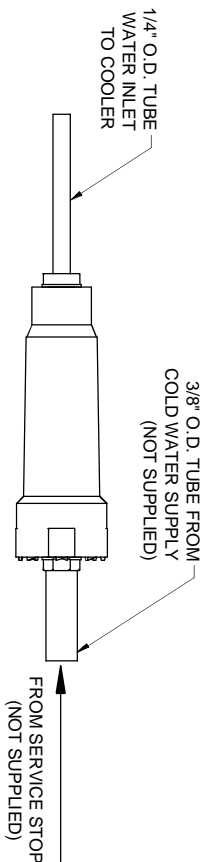


## WIRING DIAGRAM

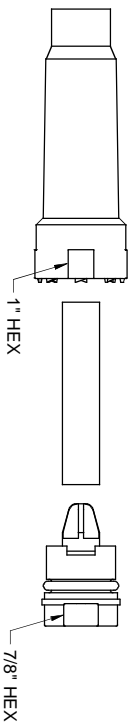
THIS DRAWING IS FOR ILLUSTRATING THE COMPONENTS OF THE ELECTRICAL SYSTEM ONLY



## INLET STRAINER ASSEMBLY



NOTE: WATERFLOW DIRECTION



RESTRICTED WATER FLOW MAY BE CAUSED BY CLOGGED SCREEN. REMOVE PLUG AND SCREEN. CLEAN SCREEN AND REPLACE. LUBRICATE O-RING WITH FOOD GRADE PHARMACEUTICAL MINERAL OIL. DO NOT OVERTIGHTEN PLUG OR FITTINGS.



**Haws**

1455 KLEPPE LANE  
SPARKS, NEVADA 89431  
(775) 359-4712 FAX (775) 359-7424  
E-MAIL: HAWS@HAWSCCO.COM  
WEBSITE: WWW.HAWSCCO.COM

ENGINEER	REVISED PER BY:	MODEL(S)	PART NUMBER
DRAWN	ED: JES	HCR8 (115V)/HCR8.50 (220V)	0002075001.D
CHECKED	CHKD:	REMOTE CHILLER	DRAWING NO.
DATE:	DATE:		15352A00
SCALE: 1:5	DRAWING TYPE:	INSTALLATION	REV
	SIZE: A	SHEET 3 OF 3	6